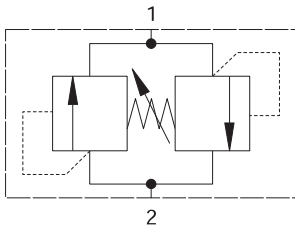


# ICLLR100 - Dual relief valve

Poppet, direct acting, differential area  
 150 L/min (40 USgpm) • 350 bar (5000 psi)



## Operation

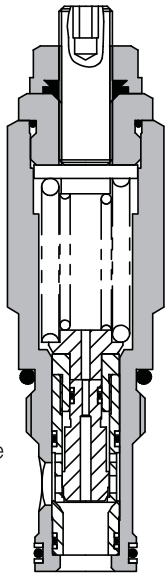
Pressure acts over one of two differential areas forcing the poppet back allowing relief flow to the other port.

This being a single cartridge is ideal for mounting on to a motor in a special housing.

## Features

Single cartridge relieving in both directions cutting down space requirements, giving full adjustment through its range on both pressures at the same time.

## Sectional view



Pressure/tank (2)

Pressure/tank (1)

## Performance data

### Ratings and specifications

Figures based on: Oil Temp = 40° C Viscosity = 32 cSt (150 SUS)

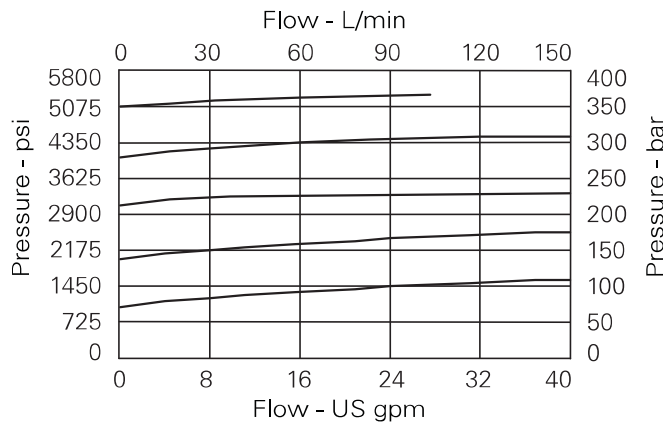
Rated flow	150 L/min (40 USgpm)
Max pressure	350 bar (5000 psi)
Cartridge material	Working parts hardened and ground steel. External steel surfaces black oxide.
Body material	Standard aluminium (up to 210 bar*). Add suffix "377" for steel option.
Mounting position	Unrestricted
Cavity number	A878 (See Section M)
Torque cartridge into cavity	60 Nm (44 lbs ft)
Weight	1CLLR100 0.23 kg (0.5 lbs) 1CLLR150 0.8 kg (1.8 lbs) 1CLLR155 1.1 kg (2.4 lbs)
Seal kit number	SK614 (Nitrile), SK614V (Viton®)
Recommended filtration level	BS5540/4 Class 18/13 (25 micron nominal)
Operating temp	-30° to +90°C (-22° to +194°F)
Leakage	5 milliliters/min nominal (5 dpm)
Nominal viscosity range	5 to 500 cSt

Viton® is a registered trademark of E.I. DuPont

## Description

This is a direct acting bi-directional relief valve designed to protect both lines in a circuit from over pressurization by relieving oil to the other line. Ideal for use with motors or directional valves as an emergency relief. Differential area, fast acting, poppet valve.

## Pressure drop curves

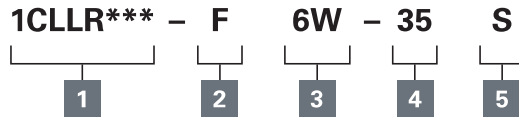


Where measurements are critical request certified drawings. We reserve the right to change specifications without notice.

# 1CLLR100 - Dual relief valve

Poppet, direct acting, differential area  
150 L/min (40 USgpm) • 350 bar (5000 psi)

## Model code



### 1 Basic code

**1CLLR100** - Cartridge only  
**1CLLR150** - Cartridge and body  
**1CLLR155** - Cartridges and body through ported

### 2 Adjustment means

F - Screw adjustment

### 3 Port sizes

Code	Port size	Housing number - Body only			
		Aluminium 1CLLR150	Steel 1CLLR150	Aluminium 1CLLR155	Steel 1CLLR155
6W	3/4" BSP	B1067	B5614	B2216	B7147
8W	1" BSP	B1069	B542		
12T	3/4" SAE	B4409		B10623	
16T	1" SAE	B10827	B11801		

### 4 Pressure range @ 14 l/min

**Note:** Code based on pressure in bar.  
**35** - 114-350 bar.  
Std setting 280 bar

### 5 Seals

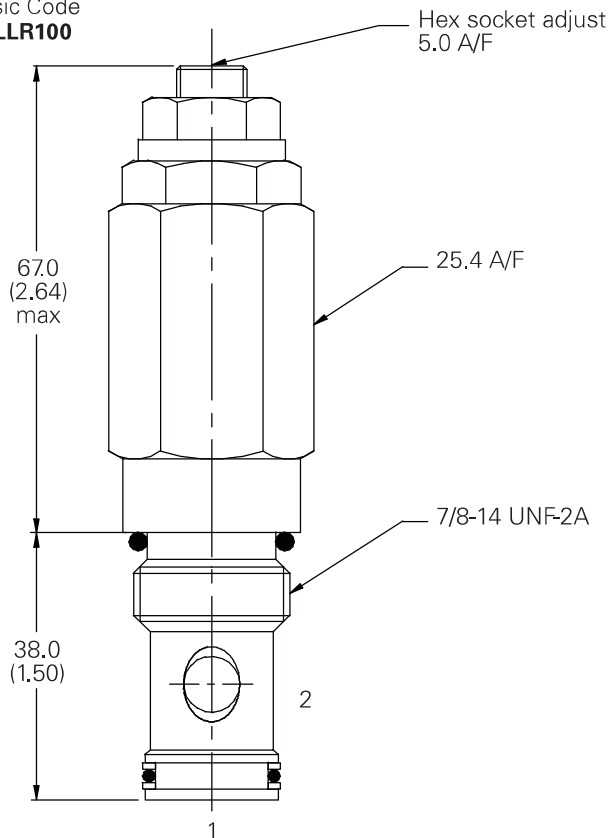
**S** - Nitrile (For use with most industrial hydraulic oils)  
**SV** - Viton® (For high temperature and most special fluid applications)

## Dimensions

mm (inch)

### Cartridge only

Basic Code  
**1CLLR100**

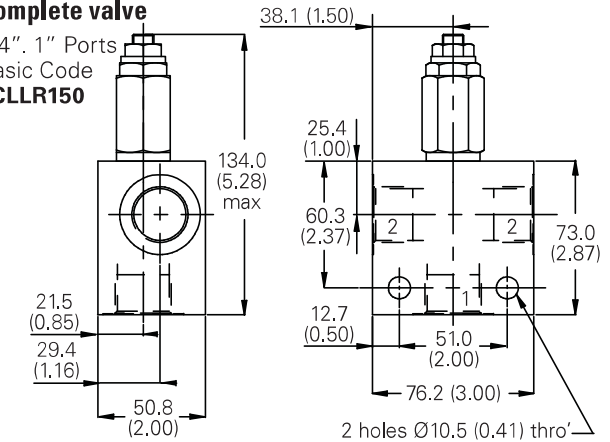


**Note:** Tightening torque of "F" adjuster locknut - 20 to 25 Nm

**Note:** For applications above 210 bar please consult our technical department or use the steel body option.

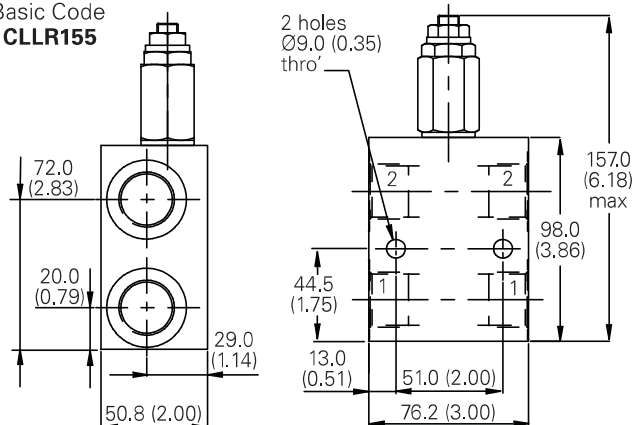
### Complete valve

3/4", 1" Ports  
Basic Code  
**1CLLR150**



### Complete valve

3/4" Ports  
Basic Code  
**1CLLR155**



Where measurements are critical request certified drawings. We reserve the right to change specifications without notice.