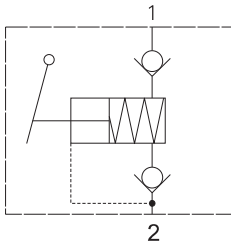


# IHP7 - Hand pump

50 bar (725 psi)



## Description

This hand pump has been designed to be used on machines which require emergency release of brakes or for pilot supply for emergency lowering of access platforms. It can also be utilized in the lubrication circuits.

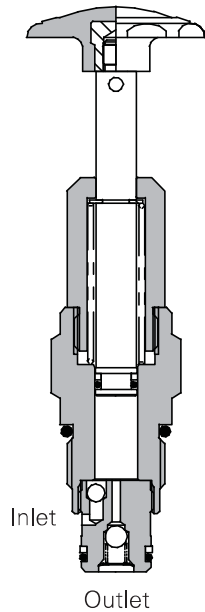
## Operation

Depressing the plunger will force oil out through a check valve and into the system. The plunger will then retract drawing oil into the chamber through a second check valve.

## Features

Built in pressure and suction checks. Self contained cartridge element. Low leakage ball and seat design. Minimal effort required for plunger movement.

## Sectional view



## Performance data

### Ratings and specifications

*Figures based on oil temperature of 40° C and viscosity of 32 cSt (150 SUS)*

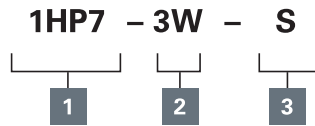
Bore Diameter	9.5 mm (0.375")
Stroke	19 mm (0.75")
Displacement	1.3 cc (1.3 ml)/stroke
Generated pressure	50 bar (725 psi)
Cartridge material	Working parts hardened & ground steel
Body material	Zinc plated steel & anodised aluminium
Cavity Number	A12370 (See Section M)
Torque cartridge into cavity	40 Nm (30 lbs ft)
Weight	0.16 kg (0.35 lbs.)
Seal kit number	SK1224 (Nitrile) SK1224V (Viton)
Recommended filtration level	BS5540/4 Class 18/13 (25 micron nominal)
Operating Temperature	-30°C to +90°C (-22° to 194°F)
Leakage	0.3 milliliters/min nominal (5 dpm)
Nominal viscosity range	5 to 500 cSt

Where measurements are critical request certified drawings. We reserve the right to change specifications without notice.

# 1HP7 - Hand pump

50 bar (725 psi)

## Model code



### 1 Basic code

**1HP7**- Cartridge only  
**1HP75** - Cartridge and body

### 2 Port Size

Code	Port size	Aluminum
Omit	Cartridge only	
<b>3W</b>	3/8" BSP	B19053
<b>8T</b>	1/2" SAE	B19402

### 3 Seals

**S** - Nitrile (for use with most industrial hydraulic oils)

**SV** - Viton® (for high temperature & most special fluid applications)

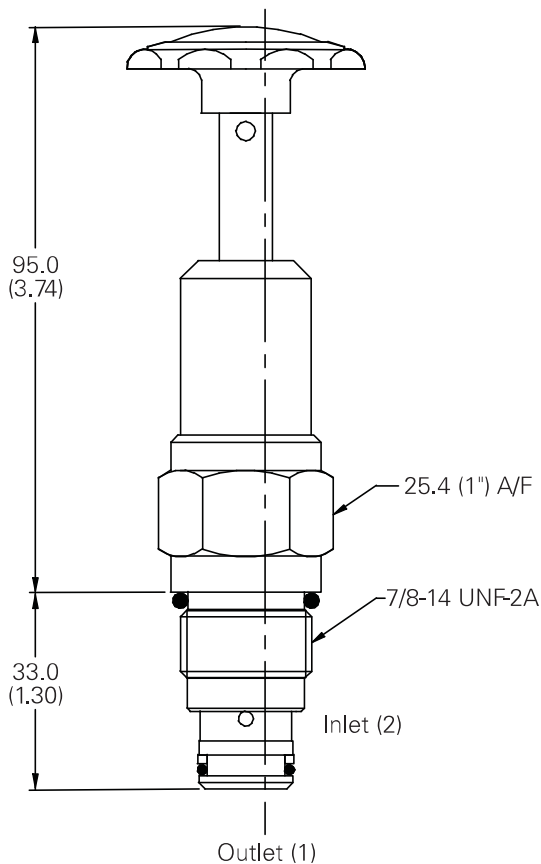
## Dimensions

mm (inch)

Torque cartridge in aluminum housing 108-122 Nm (80-90 ft lbs)

### Cartridge only

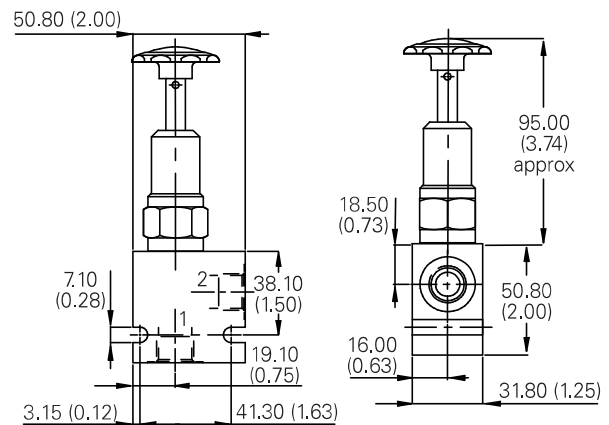
Basic Code: 1HP7



### Installation drawing

Basic Code: 1HP75

3/8" Ports



Where measurements are critical request certified drawings. We reserve the right to change specifications without notice.