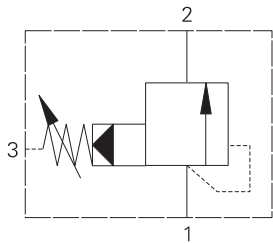


IPS60 - Pressure sequence valve

Spool, pilot operated, normally closed, internal pilot, external drain
 60 L/min (16 USgpm) • 350 bar (5000 psi)



Operation

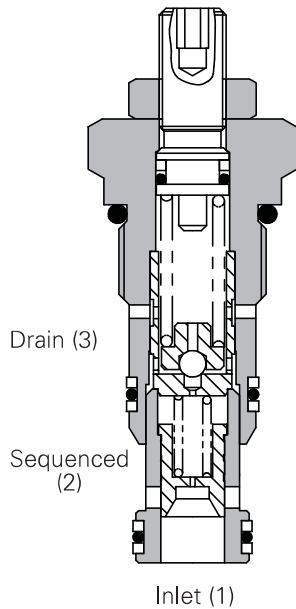
As in the pilot operated relief, when the setting of the valve is exceeded the pilot section opens.

This pilot flow causes a pressure imbalance opening the main section and allowing flow to a secondary circuit (sequenced line).

Features

Hardened steel working parts give long, trouble-free life. Selectively matched honed assemblies give accurate performance.

Sectional view



Performance data

Ratings and specifications

Figures based on: Oil Temp = 40° C Viscosity = 32 cSt (150 SUS)

Rated flow	60 L/min (16 USgpm)
Max setting	350 bar (5000 psi)
Cartridge material	Working parts hardened and ground steel. External surfaces zinc plated.
Body material	Standard aluminium (up to 210 bar*). Add suffix "377" for steel option.
Mounting position	Unrestricted
Cavity number	CVA-22-06-0 (See Section M)
Torque cartridge into cavity	60 Nm (44 lbs ft)
Weight	1PS60 0.16 kg (0.35 lbs) 1PS65 0.50 kg (1.10 lbs)
Seal kit number	SK618 (Nitrile) SK618V (Viton®)
Filtration	BS5540/4 Class 18/12 (25 micron nominal)
Operating temp	-30°C to +90°C (-22°C to +194°F)
Leakage	35 milliliters/min @ 280 bar
Nominal viscosity range	5 to 500 cSt

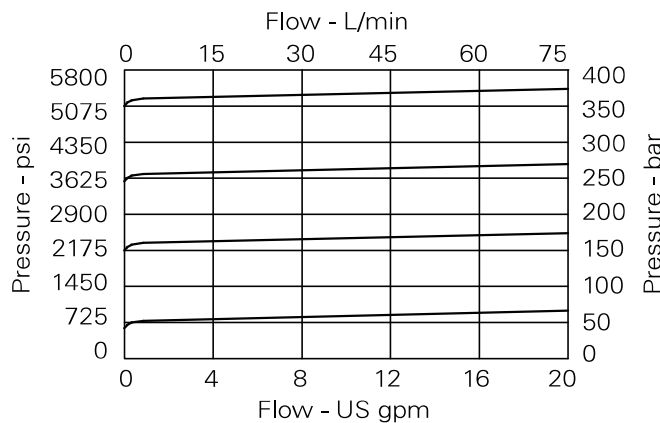
Viton is a registered trademark of E.I. DuPont

Description

Pilot operated models are best suited for higher flows which may vary widely to:

1. Provide ordered or sequenced series of operations as in a clamp and drill circuit.
2. Serve as a relief valve where oil viscosity or restrictions in the downstream line would cause excessive back pressure. The separate spring chamber drain makes the sequence valve insensitive to this back pressure.

Pressure drop curves

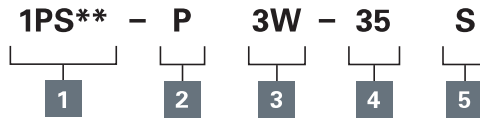


Where measurements are critical request certified drawings. We reserve the right to change specifications without notice.

1PS60 - Pressure sequence valve

Spool, pilot operated, normally closed, internal pilot, external drain
60 L/min (16 USgpm) • 350 bar (5000 psi)

Model code



1 Basic Code

1PS60 - Cartridge Only
1PS65 - Cartridge and Body

2 Adjustment Means

P - Leakproof Screw Adjustment
R - Handknob Adjustment
G - Tamperproof Cap (See page E-7 for dimensions)

3 Port sizes - bodied valves only

Code	Port size	Housing number	
		Aluminium Single	Steel Single
3W	3/8" BSP 1/4" BSP Drain Port	B12751	B17070
4W	1/2" BSP 1/4" BSP Drain Port	B8533	
6T	3/4" SAE 1/4" SAE Drain Port	B10796	
8T	1/2" SAE 1/4" SAE Drain Port	B10797	B11802

4 Pressure range @4,8 L/min

Note: Code based on pressure in bar.

10 - 7-100 bar
Std setting 35 bar

20 - 10-210 bar
Std setting 100 bar

35 - 20-350 bar
Std setting 280 bar

Std setting made at 4.8 liters min

5 Seals

S - Nitrile (For use with most industrial hydraulic oils)

SV - Viton (For high temperature and most special fluid applications)

Dimensions

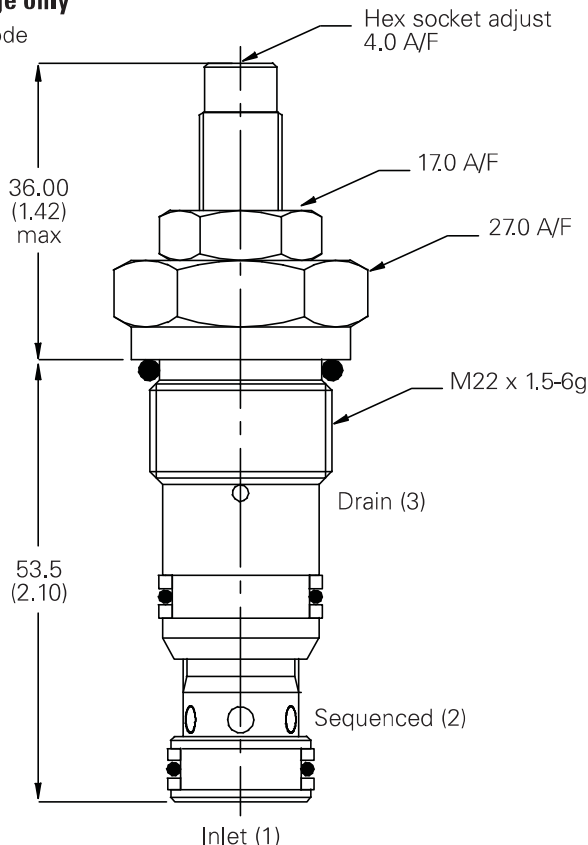
mm (inch)

Note: Tightening torque of "F" adjuster locknut - 20 to 25 Nm

Note: For applications above 210 bar please consult our technical department or use the steel body option.

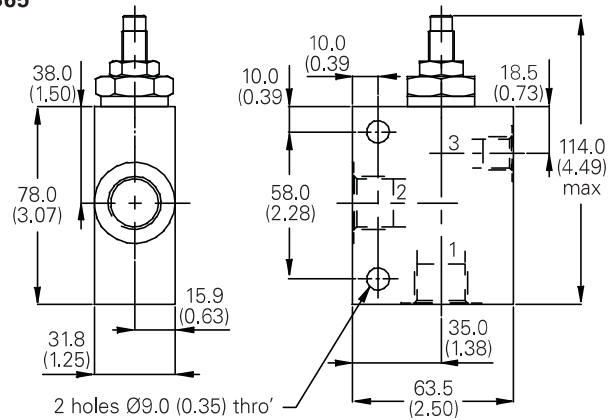
Cartridge only

Basic Code
1PS160



Complete valve

3/8", 1/2" Ports
Basic Code
1PS65



Where measurements are critical request certified drawings. We reserve the right to change specifications without notice.