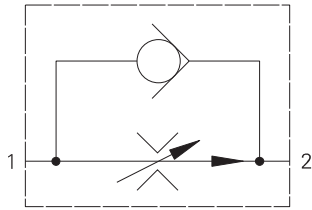


2CFRC60 - Flow regulator

Restrictive, pressure compensated with reverse check
 4-60 L/min (1 to 16 USgpm) • 350 bar (5000 psi)



Operation

Flow into the inlet of the valve passes through the adjustable orifice and out of the regulated port. The pressure drop across the orifice is sensed on the regulating sleeve and produces a force which, at the required flow rate, overcomes

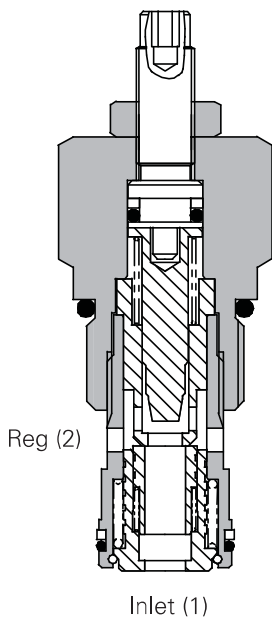
the spring force. The resultant movement of the sleeve regulates the flow by closing the radial valve ports.

The inbuilt check allows free return of flow (2 to 1).

Features

Cartridge construction gives versatility of application. A valve may be fitted into a line body, a custom designed Hydraulic Integrated Circuit or directly into a cylinder or other actuator. Leakproof adjust screw gives easy, accurate adjustment to required flow setting. Hardened and ground working parts give accurate flow control and long working life.

Sectional view



Performance data

Ratings and specifications

Figures based on oil temperature of 40° C and of 32 cSt (150 SUS)

Rated Flow	4 to 60 liters/min (1 to 16 USgpm)
Maximum pressure	350 bar (5000 psi)
Cartridge material	All working parts hardened & ground steel. Zinc plated body
Standard housing material	Standard aluminum (up to 210 bar*) Add suffix "377" for steel option
Mounting position	Unrestricted
Cavity Number	A7447 (See Section M)
Torque cartridge into cavity	75 Nm (55 ft lbs)
Weight	2CFRC60: 0,29 kg (0,64 lbs) 2CFRC65: 0,75 kg (1,65 lbs)
Seal kit number	SK578 (Nitrile) SK578V (Viton®)
Recommended Filtration Level	BS5540/4 Class 18/13 (25 micron nominal)
Operating temperature	-30° to +90°C (-22° to +194°F)
Nominal range	5 to 500 cSt

Viton is a registered trademark of E.I. DuPont

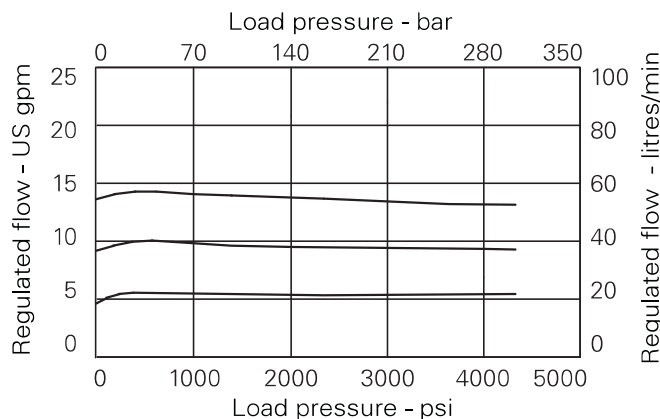
Description

This is a two-port, restrictive flow regulator with a built in free flow check valve. Typical uses include the control of actuator speed by regulating the flow into or out of the actuator (meter-in or meter-out).

The flow (and actuator speed) will be largely independent of the load and the pressure conditions. If used to restrict flow from a fixed supply, for example a standard gear or piston pump, the valve will pass the required flow and any surplus flow will normally pass over the system relief valve.

Pressure drop curves

Cartridge only

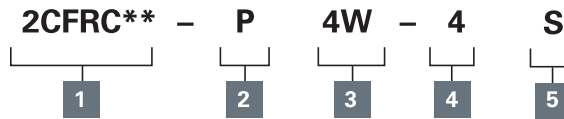


Where measurements are critical request certified drawings. We reserve the right to change specifications without notice.

2CFRC60 - Flow regulator

Restrictive, pressure compensated with reverse check
4-60 L/min (1 to 16 USgpm) • 350 bar (5000 psi)

Model code



1 Basic code

2CFRC60 - Cartridge only
2CFRC65 - Cartridge & body

2 Adjustment means

P - Leakproof screw adjustment
R - Handknob adjustment (See page H-6 for dimensions)

3 Port size - bodied valves only

4W - 1/2" BSP
8T - 1/2" SAE

5 Seals

S - Nitrile (for use with most industrial hydraulic oils)
SV - Viton (for high temperature & most special fluid applications)

4 Adjustable flow range

4 - 4-40 L/min. Standard setting 30 L/min
6 - 6-60 L/min. Standard setting 40 L/min

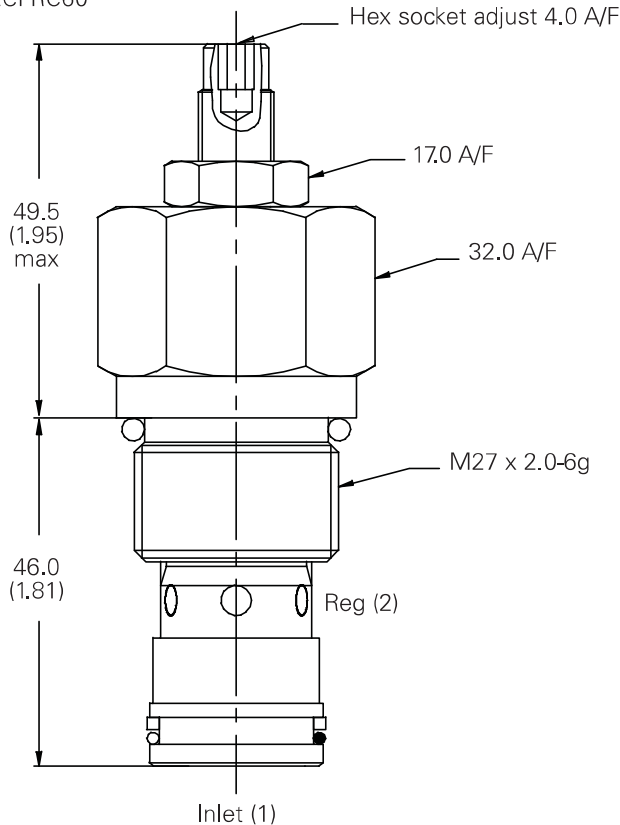
Dimensions

mm (inch)

Note: For applications above 210 bar (3000 psi) please consult our technical department or use the steel body option

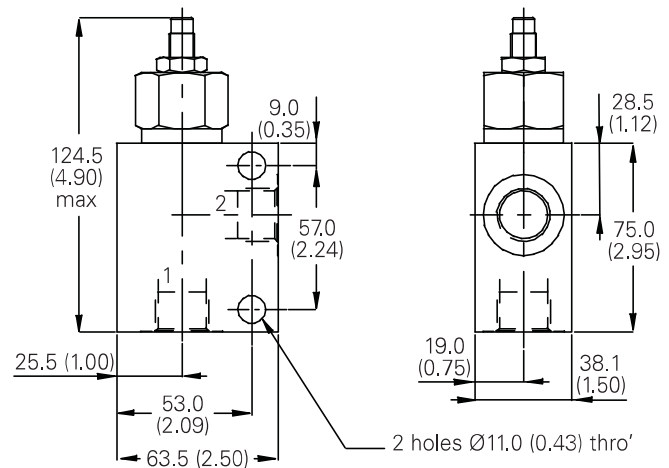
Cartridge only

Basic code
2CFRC60



Complete valve

Basic code
2CFRC65



Where measurements are critical request certified drawings. We reserve the right to change specifications without notice.