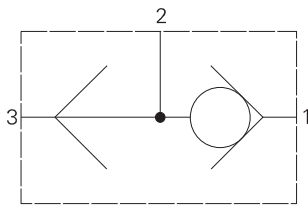


# DSV2-4 - Shuttle valve

Ball type

3 L/min (0.75 USgpm) • 240 bar (3500 psi)



## Operation

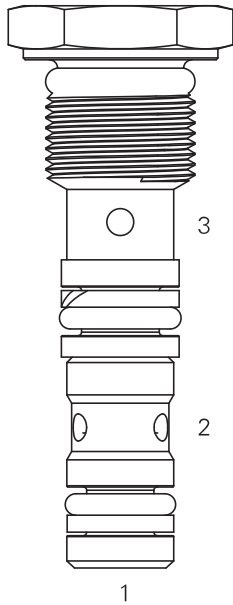
When a higher pressure is sensed at inlet 1 than at inlet 2 the ball within the cartridge is forced against a seat opening the higher pressure to outlet.

When the higher pressure appears at inlet 2 the ball is forced against the other seat which blocks inlet 1 and opens up inlet 2 to outlet.

## Features

Cartridge design enabling speedy servicing when mounted in a body or in a composite manifold.

## Sectional view



## Performance data

### Ratings and Specifications

Performance data is typical with fluid at 21,8 cSt (105 SUS) and 49°C (120°F)

Typical application pressure (all ports)	240 bar (3500 psi) steel housing
Cartridge fatigue pressure (infinite life)	240 bar (3500 psi)
Rated flow	3 L/min (0.75 USgpm)
Internal leakage	Between ports 2 and 1, and 2 and 3 <5 drops/min maximum @ 240 bar (3500 psi)
Cavity	C-4-3
Temperature range	-40°C to +120°C (-40° to +248°F)
Fluids	All general purpose hydraulic fluids such as MIL-H-5606, SAE 10, SAE 20, etc.
Filtration level	Cleanliness code 18/16/13
Weight cartridge only	0,02 kg (0.044 lbs)
Seal kits	9900176-000 (Buna-N) 9900177-000 (Viton®)

Viton is a registered trademark of E. I. DuPont

## Description

This valve provides a means of sensing the higher pressures between two lines on a hydraulic circuit allowing this line to be used for an auxiliary function such as the removal of a mechanically applied brake, the operation of a gauge or to give a remote pressure sensing line for the control of a separate valve.

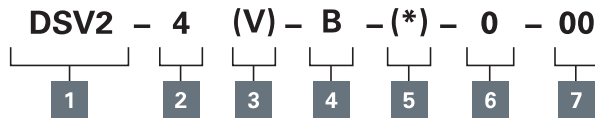
**Note:** This valve is intended for application as a load sense shuttle valve in load sensing systems

Where measurements are critical request certified drawings. We reserve the right to change specifications without notice.

# DSV2-4 - Shuttle valve

Ball type  
3 L/min (0.75 USgpm) • 240 bar (3500 psi)

## Model code



### 1 Function

DSV2 - Shuttle Valve

### 2 Size

4 - 4 Size

### 3 Seals

Blank - Buna-N  
V - Viton

### 4 Style

B - Ball

### 5 Valve housing material

Omit for cartridge only  
A - Aluminum  
S - Steel

### 6 Port size

O - Cartridge Only

### 7 Special features

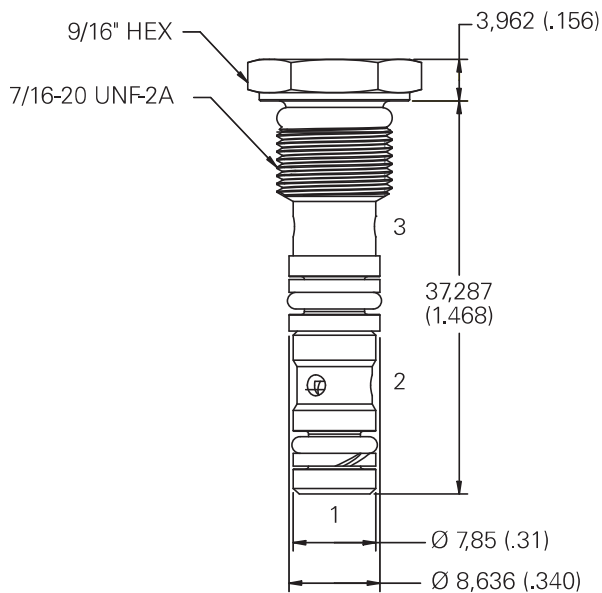
00 - None  
(Only required if valve has special features, omitted if "00")

## Dimensions

mm (inch)

### Cartridge only

Basic code  
DSV2-4



**Note:** Torque cartridge in aluminum or steel housing 8.1-13.6 Nm (6-10 ft lbs).

⚠ Aluminum housings can be used for pressures up to 210 bar (3000 psi). Steel housings must be used for operating pressures above 1210 bar (3000 psi).

Where measurements are critical request certified drawings. We reserve the right to change specifications without notice.