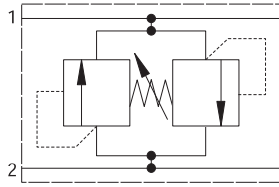


# ICLLROMS150 - Motor mounted relief

150 L/min (40 USgpm) 350 bar (5000 psi)



## Operation

Pressure acts over one of two differential areas forcing the poppet back allowing relief flow to the other port. This being a single cartridge is ideal for mounting on to a motor in a special housing.

## Features

Single cartridge relieving in both directions cutting down space requirements, giving full adjustment through its range on both pressures at the same time.

## Performance data

### Ratings and specifications

Figures based on: Oil Temp = 40°C Viscosity = 32 cSt (150 SUS)

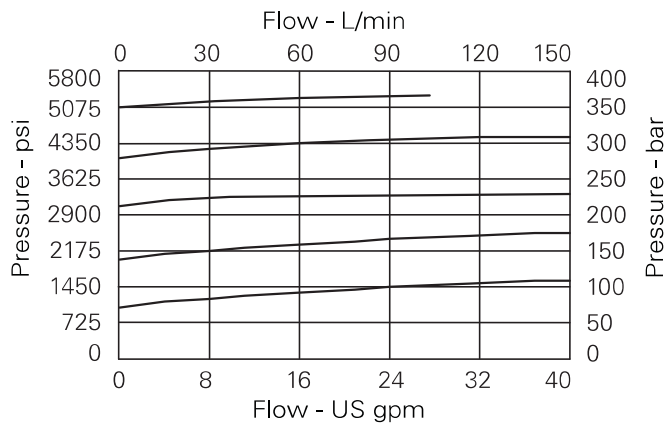
Rated Flow	150 L/min (40 USgpm)
Max Setting	350 bar (5000 psi)
Cartridge Material	Working parts hardened and ground steel. External steel surfaces black oxide.
Body Material	Standard aluminium (up to 210 bar*) Add Suffix '377' for steel option
Mounting Position	Unrestricted
Cavity Number	A878 (See Section M)
Torque Cartridge into Cavity	60 Nm (44 lbs ft)
Weight	1.46 kg (3.21 lbs)
Seal Kit Number	SK1280 (Nitrile) SK1280V (Viton)
Recommended Filtration Level	BS5540/4 Class 18/13 (25 micron nominal)
Operating Temp	-30°C to +90°C (-22° to 194°F)
Leakage	5 milliL/min
Nominal Viscosity Range	5 to 500 cSt

## Description

This is a direct acting bi-directional relief valve designed to protect both lines in a circuit from over pressurization by relieving oil to the other line. Ideal for use with motors or directional valves as a emergency relief. Differential area, fast acting, poppet valve.

## Pressure drop

Cartridge only



Where measurements are critical request certified drawings. We reserve the right to change specifications without notice.

# 1CLLROMS150 - Motor mounted relief

150 L/min (40 USgpm) 350 bar (5000 psi)

## Model code

**1CLLROMS150 – F 4W – 35 S BK**

┌───┐
┌──┐
┌──┐
┌──┐
┌──┐
┌──┐

1
2
3
4
5
6

### 1 Basic code

**1CLLROMS150** - Cartridge and Body

### 3 Port size

Code	Port size	Housing number
4W	1/2" BSP	AXP24059-4W-S

### 6 Mounting

**BK** - Bolt Kit

### 2 Adjustment means

**F** - Screw Adjustment

### 4 Adjustable pressure range

**Note:** Code based on pressure in bar.

**35** - 114-350 bar. Std setting 280 bar\*

Std setting made at 14 L/min

\* Cartridges must not be adjusted above the safe working pressure of the motor

### 5 Seals

**S** - Nitrile  
(For use with most industrial hydraulic oils)

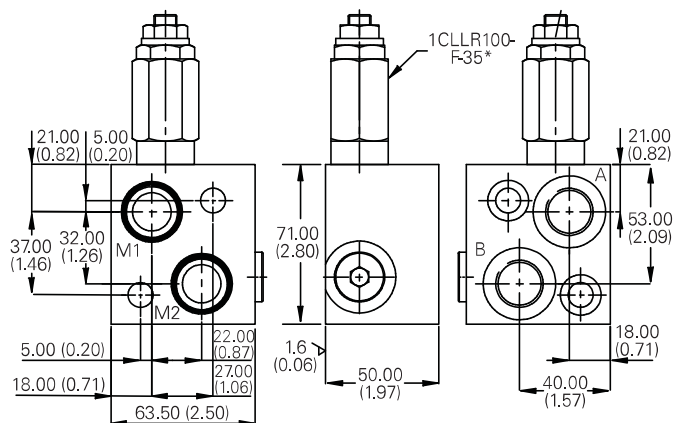
**SV** - Viton  
(For high temperature and most special fluid applications)

## Dimensions

mm (inch)

Tightening torque of "F" adjuster locknut - 20 to 25 Nm

**Note:** For applications over 210 bar (3000 psi), please consult our technical department or use the steel body option.



Where measurements are critical request certified drawings. We reserve the right to change specifications without notice.