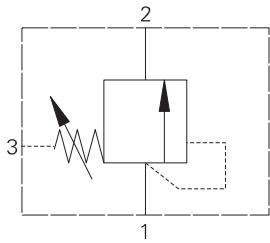


IDS60 - Pressure sequence valve

Spool. direct acting, normally closed, internal pilot, external drain
 60 L/min (16 USgpm) • 40 bar (580 psi)



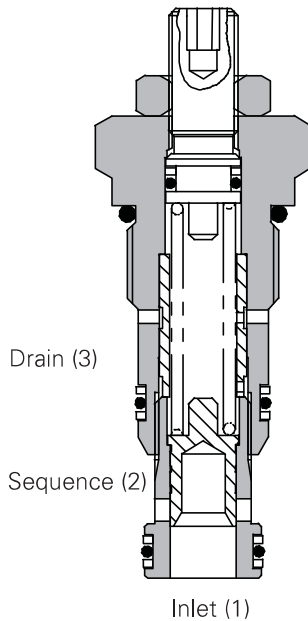
Operation

As with the direct acting relief valves, when the pressure exceeds the spring force, the spool moves back, opening the inlet to outlet.

Features

Stable, quiet operation. Cartridge construction gives maximum flexibility in mounting. Offering good repeatability and reseal.

Sectional view



Performance data

Ratings and specifications

Figures based on: Oil Temp = 40° C Viscosity = 32 cSt (150 SUS)

Rated flow	60 L/min (16 USgpm)	
Max pressure	40 bar (580 psi)	
Cartridge material	Working parts hardened and ground steel. External surfaces zinc plated.	
Body material	Standard aluminium (up to 210 bar*). Add suffix "377" for steel option.	
Mounting position	Unrestricted	
Cavity number	CVA-22-06-0 (See Section M)	
Torque cartridge into cavity	60 Nm (44 lbs ft)	
Weight	1DS60	0.16 kg (0.35 lbs)
	1DS65	0.50 kg (1.10 lbs)
Seal kit number	SK618 (Nitrile), SK618V (Viton®)	
Recommended filtration level	BS5540/4 Class 18/12 (25 micron nominal)	
Operating temp	-30°C to +90°C (-22 to 194°F)	
Leakage	25 milliliters/min nominal	
Nominal viscosity range	5 to 500 cSt	

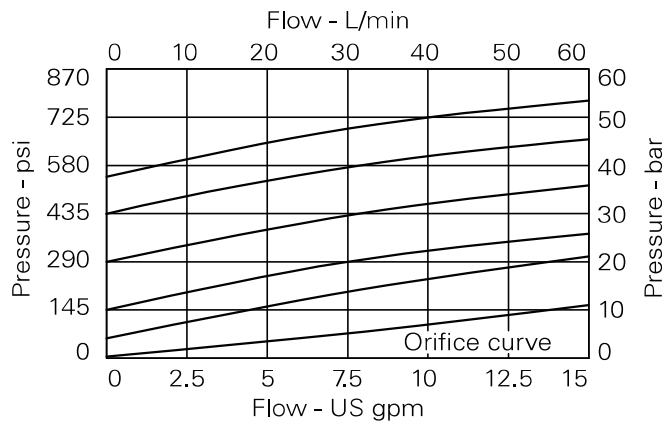
Viton is a registered trademark of E.I. DuPont

* For applications above 210 bar please consult our technical department or use the steel body option.

Description

Direct acting sequence valves are ideal for diverting oil to a second circuit at a predetermined pressure as in clamp and drill circuits, or as a relief where the back pressure varies. By taking the drain line directly to tank, back pressure effects are negated.

Pressure drop curves

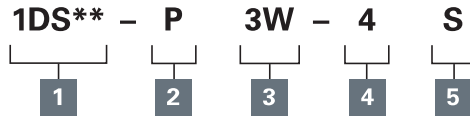


Where measurements are critical request certified drawings. We reserve the right to change specifications without notice.

IDS60 - Pressure sequence valve

Spool. direct acting, normally closed, internal pilot, external drain
60 L/min (16 USgpm) • 40 bar (580 psi)

Model code



1 Basic code

1DS60 - Cartridge Only
1DS65 - Cartridge and Body
1DS66 - Cartridge and Body Through Ported

2 Adjustment means

P - Leakproof Screw Adjustment
R - Handknob Adjustment
G - Tamperproof Cap (See page E-7 for dimensions)

3 Port sizes - bodied valves only

Code	Port size	Housing number			
		Aluminium 1DS65	Steel 1DS65	Aluminium 1DS66	Steel 1DS66
3W	3/8" BSP 1/4" BSP Drain	B12751	B17070		
4W	1/2" BSP 1/4" BSP Drain	B8533		B13482	B13483
6T	3/8" SAE 1/4" SAE Drain	B10796			
8T	1/2" SAE 1/4" SAE Drain	B10797	B11802		

4 Pressure range @ 4,8 l/min

Note: Code based on pressure in psi.
2 - 2–20 bar Std setting 15 bar
4 - 8,5–40 bar Std setting 25 bar
Std setting made at 4,8 liters/min

5 Seals

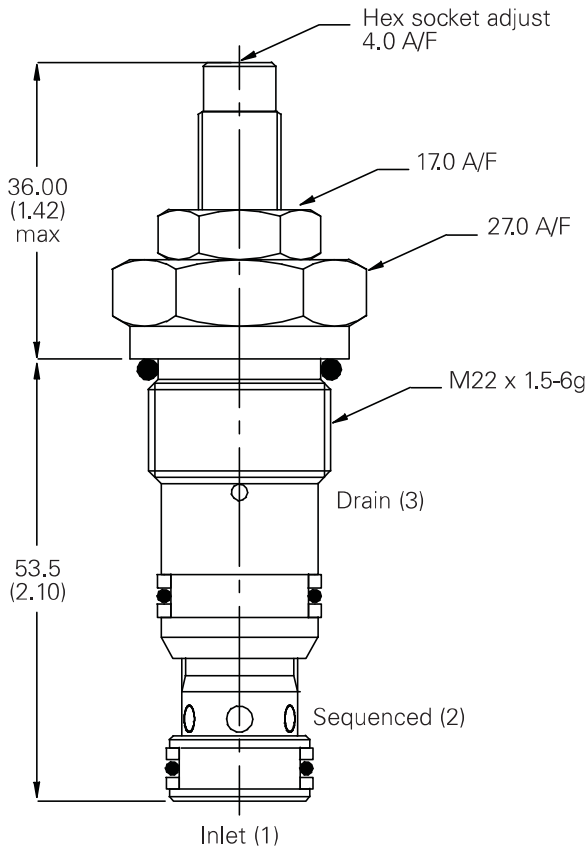
S - Nitrile (For use with most industrial hydraulic oils)
SV - Viton (For high temperature and most special fluid applications)

Dimensions

mm (inch)

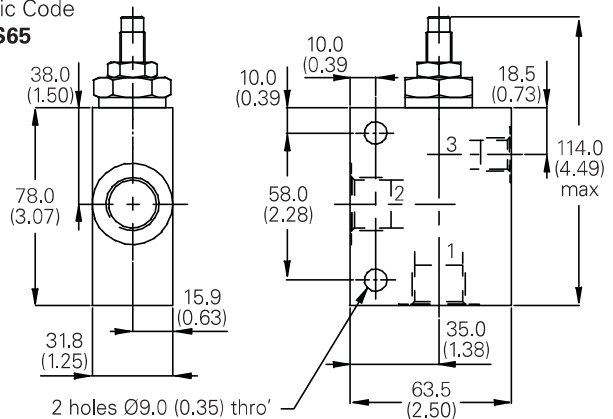
Cartridge only

Basic Code
1DS60



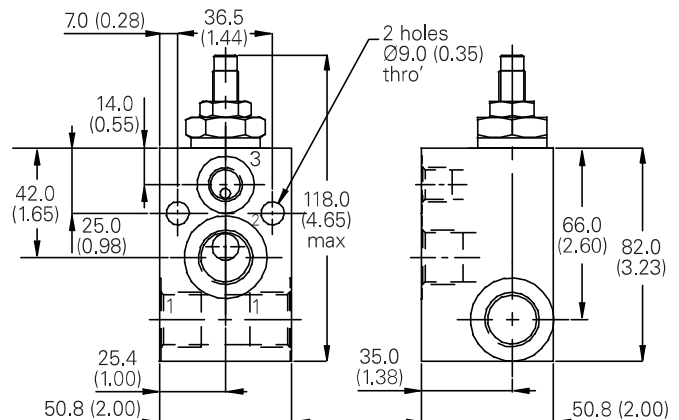
Complete valve

3/8", 1/2" Ports
Basic Code
1DS65



Complete valve

1/2" Ports
Basic Code
1DS66



Where measurements are critical request certified drawings. We reserve the right to change specifications without notice.