

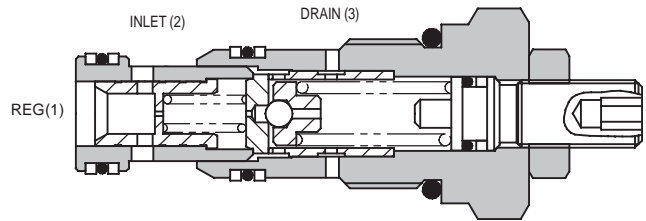
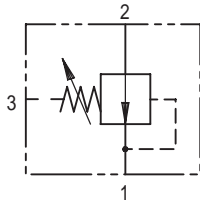


1PA SERIES PRESSURE REDUCING VALVE

PILOT OPERATED (ISO CAVITY NUMBER: 7789-22-6-0-90)

1PA60

SLIDING SPOOL
TYPE



5

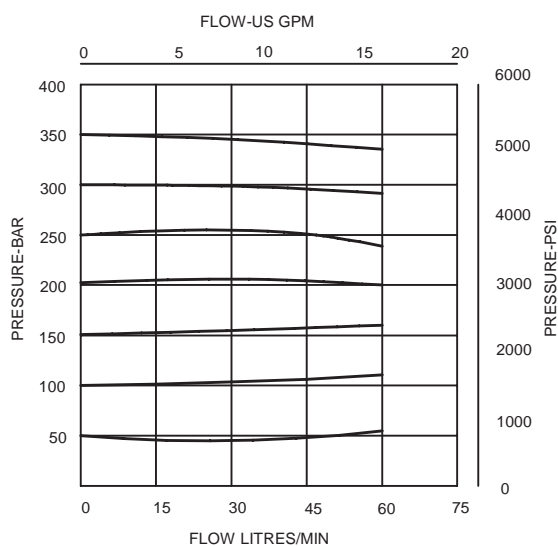
APPLICATION

To maintain a constant downstream pressure lower than the inlet pressure. Ideal for use in two systems or to protect low pressure actuators such as brake cylinders.

OPERATION

Normally open, the valve throttles or closes to maintain constant pressure in the regulated line. As in the other pilot operated valves, flow through the pilot section causes a pressure imbalance which closes the main section.

REGULATED PRESSURE



FEATURES

High capacity - of pilot operated design. Cartridge construction for use in your own manifold. Selectively matched, precision ground steel working parts assure long life.

SPECIFICATIONS

Figures based on: Oil Temp = 40°C Viscosity = 40 cSt

Rated Flow	60 litres/min (16 US GPM)
Max Setting	Inlet: 350 bar (5000 psi) Reg: 10-350 bar (150-5000 psi)
Max Differential	210 bar (3000 psi) between 1 and 2
Cartridge Material	Working parts hardened and ground steel. External surfaces zinc plated
Body Material	Standard aluminium (up to 210 bar*) Add Suffix '377' for steel option
Mounting Position	Unrestricted
Cavity Number	CVA-22-06-0 (See Section 17)
Torque Cartridge into Cavity	60 Nm (44 lbs ft)
Weight	1PA60 0.16 kg (0.35 lbs) 1PA65 0.50 kg (1.11 lbs) 1PA66 0.76 kg (1.62 lbs)
Seal Kit Number	SK618 (Nitrile) SK618V (Viton)
Recommended Filtration Level	BS5540/4 Class 18/13 (25 micron nominal)
Operating Temp	-20°C to +90°C
Pilot Flow	300 millilitres/min @ standard setting
Nominal Viscosity Range	5 to 500 cSt

*For applications above 210 bar please consult our technical department or use the steel body option.

Integrated Hydraulics Ltd

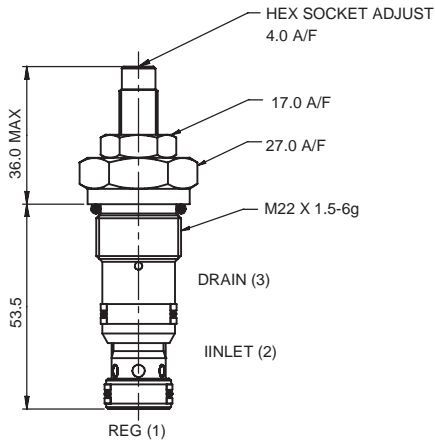
Collins Road, Heathcote Ind. Est., Warwick, CV34 6TF, UK.
Tel: +44 (0) 1926 881171 Fax: +44 (0) 1926 315729
Website: www.integratedhydraulics.com

Integrated Hydraulics Inc

7047 Spinach Drive, Mentor, Ohio 44060, USA
Tel: (440) 974 3171 Fax: (440) 974 3170
Website: www.integratedhydraulics.com

CARTRIDGE ONLY

BASIC CODE: 1PA60



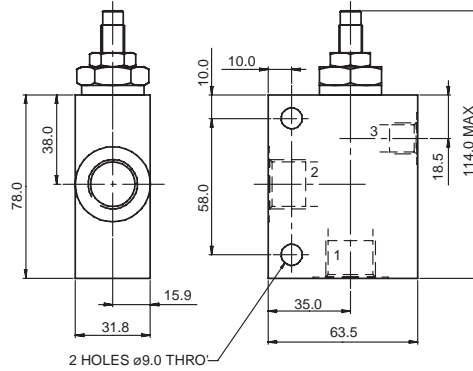
COMPLETE VALVE

3/8" 1/2" PORTS

BASIC CODE: 1PA65

Body ONLY part numbers

BSP, aluminium	SAE, aluminium	BSP Steel	SAE, steel
3/8" B12751	3/8" B10796	3/8" B17070	1/2" B11802
1/2" B8533	1/2" B10797		



5

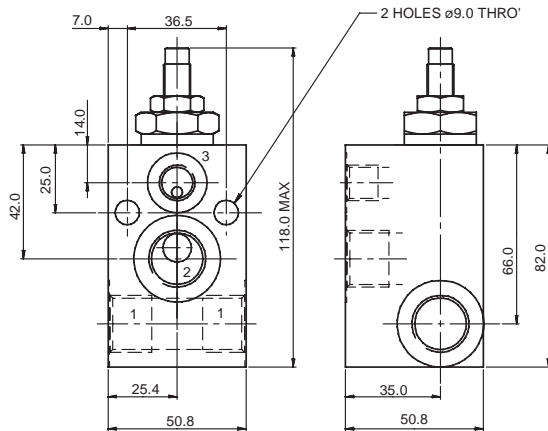
COMPLETE VALVE

1/2" PORTS

BASIC CODE: 1PA66

Body ONLY part numbers

BSP, aluminium	BSP, steel
1/2" B13482	1/2" B13483



COMPLETE VALVE

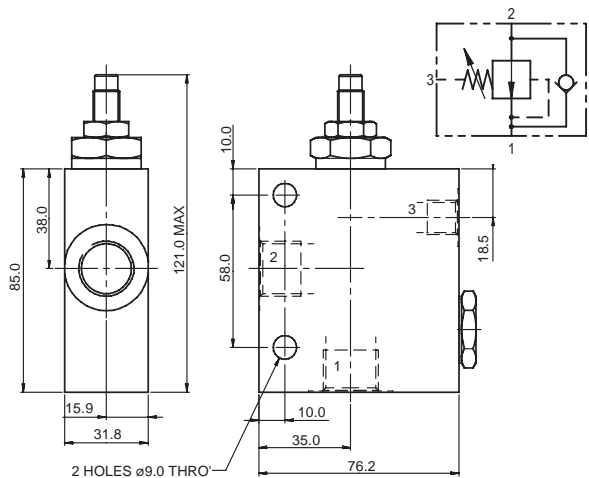
1/2" PORTS

BASIC CODE: 1PAC65

(WITH BUILT-IN CHECK)

Sub-assembly part numbers

BSP, aluminium	SAE, aluminium	SAE, steel
1/2" BXP16302-4W-S	1/2" BXP16302-8T-S	1/2" BXP16302-8T-S-377



Where measurements are critical request certified drawings

ORDERING CODE EXAMPLE

1PA P 3W 35 S**

Basic Code

- 1PA60** = Cartridge Only
- 1PA65** = Cartridge and Body
- 1PA66** = Cartridge and Body through ported
- 1PAC65** = Cartridge, Body and Check

Adjustment Means

- P** = Leakproof Screw Adjustment
 - R** = Handknob Adjustment
 - G** = Tamperproof Cap
- (See page 5-102 for dimensions)

Port Sizes - Bodied Valves Only

- 3W** = 3/8" BSP **6T** = 3/8" SAE
- 4W** = 1/2" BSP **8T** = 1/2" SAE
- 1/4" BSP Drain Ports 1/4" SAE Drain Ports

Seals

- S** = Nitrile (For use with most industrial hydraulic oils)
- SV** = Viton (For high temperature and most special fluid applications)

Pressure Range @ zero flow

- 10** = 10-100 bar. Std setting 35 bar
 - 20** = 15-210 bar. Std setting 100 bar
 - 35** = 30-350 bar. Std setting 280 bar
- Std setting made at zero flow (dead head)

We reserve the right to change specifications without notice