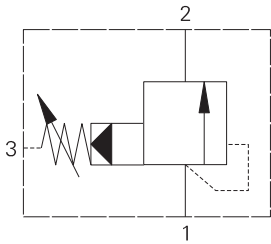


# IPS200 - Pressure sequence valve

Spool, pilot operated, normally closed, internal pilot, external drain  
 250 L/min (60 USgpm) • 350 bar (5000 psi)



## Operation

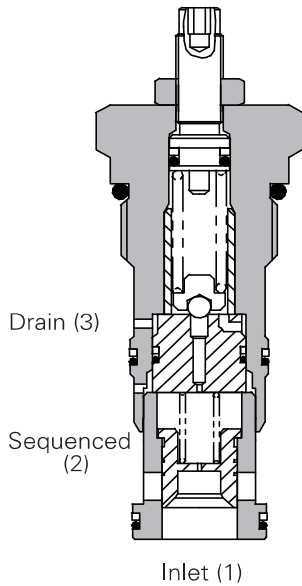
As in the pilot operated relief, when the setting of the valve is exceeded the pilot section opens.

This pilot flow causes a pressure imbalance opening the main section and allowing flow to a secondary circuit (sequenced line).

## Features

Hardened steel working parts give long, trouble-free life. Selectively matched honed assemblies give accurate performance.

## Sectional view



## Performance data

### Ratings and specifications

Figures based on: Oil Temp = 40° C Viscosity = 32 cSt (150 SUS)

Rated flow	250 L/min (60 USgpm)	
Max setting	350 bar (5000 psi)	
Cartridge material	Working parts hardened and ground steel. External surfaces zinc plated.	
Body material	Standard aluminium (up to 210 bar*). Add suffix "377" for steel option.	
Mounting position	Unrestricted	
Cavity number	A16102 (See Section M)	
Torque cartridge into cavity	100 Nm (76 lbs ft)	
Weight	1PS200	0.72 kg (1.60 lbs)
	1PS250	1.62 kg (3.60 lbs)
Seal kit number	SK173 (Nitrile) SK173V (Viton®)	
Filtration	BS5540/4 Class 18/13 (25 micron nominal)	
Operating temp	-30°C to +90°C (-22°C to 194°F)	
Leakage	35 milliliters/min @ 280 bar	
Nominal viscosity range	5 to 500 cSt	

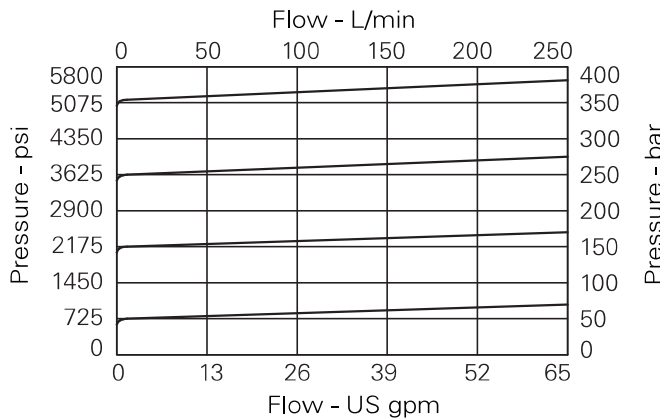
Viton is a registered trademark of E.I. DuPont

## Description

Pilot operated models are best suited for higher flows which may vary widely to:

1. Provide ordered or sequenced series of operations as in a clamp and drill circuit.
2. Serve as a relief valve where oil viscosity or restrictions in the downstream line would cause excessive back pressure. The separate spring chamber drain makes the sequence valve insensitive to this back pressure.

## Pressure drop curves

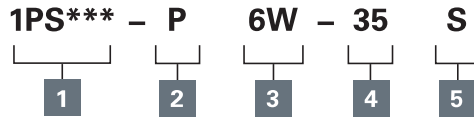


Where measurements are critical request certified drawings. We reserve the right to change specifications without notice.

# 1PS200 - Pressure sequence valve

Spool, pilot operated, normally closed, internal pilot, external drain  
250 L/min (60 USgpm) • 350 bar (5000 psi)

## Model code



### 1 Basic code

**1PS200** - Cartridge Only  
**1PS250** - Cartridge and Body

### 2 Adjustment means

**P** - Leakproof Screw Adjustment  
**R** - Handknob Adjustment  
**G** - Tamperproof Cap (See page E-7 for dimensions)

### 3 Port sizes - bodied valves only

Code	Port size	Housing number	
		Aluminium	Steel
<b>8W</b>	1" BSP. 1/4" BSP Drain Port	B3496	B3497
<b>16T</b>	1" SAE. 1/4" SAE Drain Port	B6807	B11555

### 4 Pressure Range @ 14 L/min

**Note:** Code based on pressure in bar.  
**20** - 10–210 bar  
Std setting 100 bar  
**35** - 50–350 bar  
Std setting 100 bar  
Std setting made at 14 L/min

### 5 Seals

**S** - Nitrile (For use with most industrial hydraulic oils)  
**SV** - Viton (For high temperature and most special fluid applications)

## Dimensions

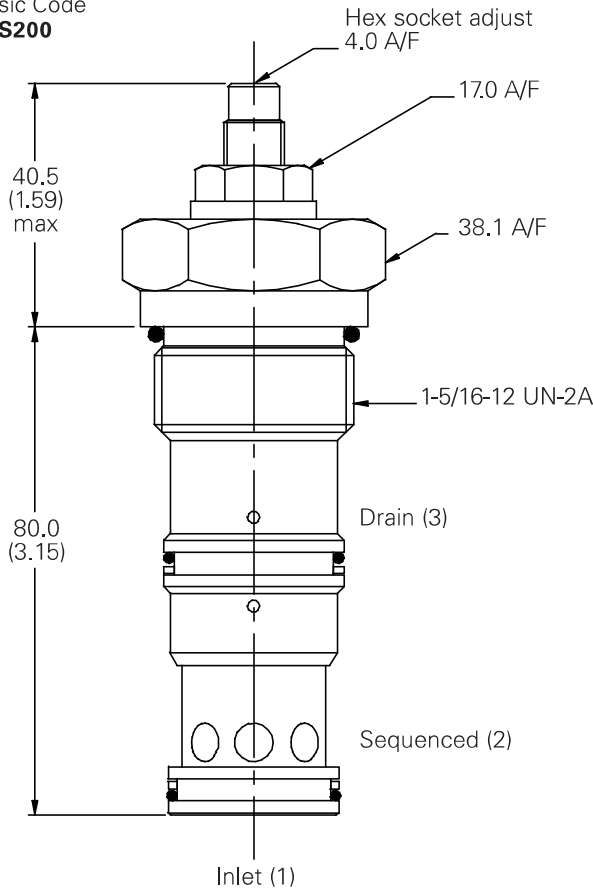
mm (inch)

**Note:** Tightening torque of "F" adjuster locknut - 20 to 25 Nm

**Note:** For applications above 210 please consult our technical department or use the steel body option.

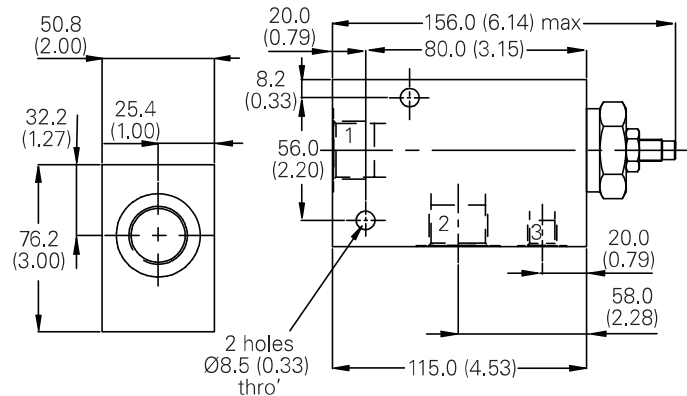
### Cartridge only

Basic Code  
**1PS200**



### Complete valve

1" Ports  
Basic Code  
**1PS250**



Where measurements are critical request certified drawings. We reserve the right to change specifications without notice.