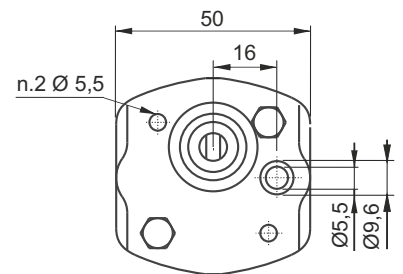
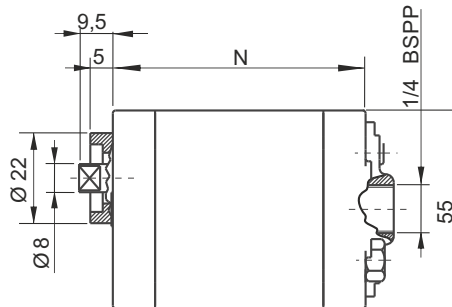


K SERIES GEAR PUMPS, GROUP 0

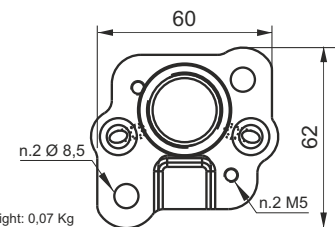


Main features

Oil temperature	-15 ÷ +80 °C
Inlet pressure	0,7 < P < 3,0 bar (absolute pressure)
Fixing bolts	2 x M5 8.8 class steel tightening torque: 8 ÷ 9,5 Nm
Pressure definition	Peak pressure: cycle 2 s ON Intermittent pressure: cycle 20 s ON Continuous pressure: cycle always ON

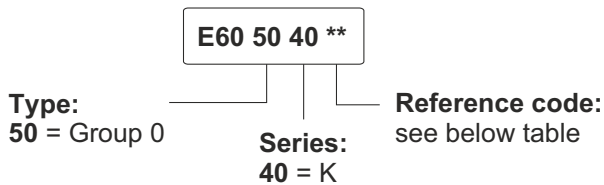
Aluminium adapter flange for group 0

Code: E60513025

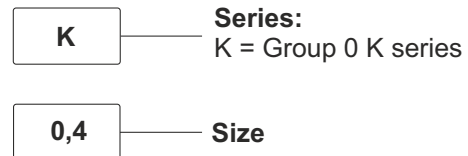


Standard rotation direction: clockwise (from shaft side).
Counterclockwise rotation pumps can be mounted on request.
Ask our sales department.

Spare part code



Assembly code



Available range

Nominal size	Displacement [cc/rev]	Peak pressure [bar]	Intermittent pressure [bar]	Continuous pressure [bar]	Max speed [rpm]	N [mm]	Bolts* [mm]	Spare part code	Weight [Kg]
K0,2	0,26	200	180	160	6000	51,9	M5x65	E60504002	0,33
K0,4	0,38	200	180	160	6000	52,9	M5x65	E60504004	0,35
K0,6	0,64	200	180	160	6000	54,9	M5x65	E60504006	0,40

* One or more washers are always fitted to secure the bolt engagement
Other pumps with different displacement/pressure/speed are available on request.