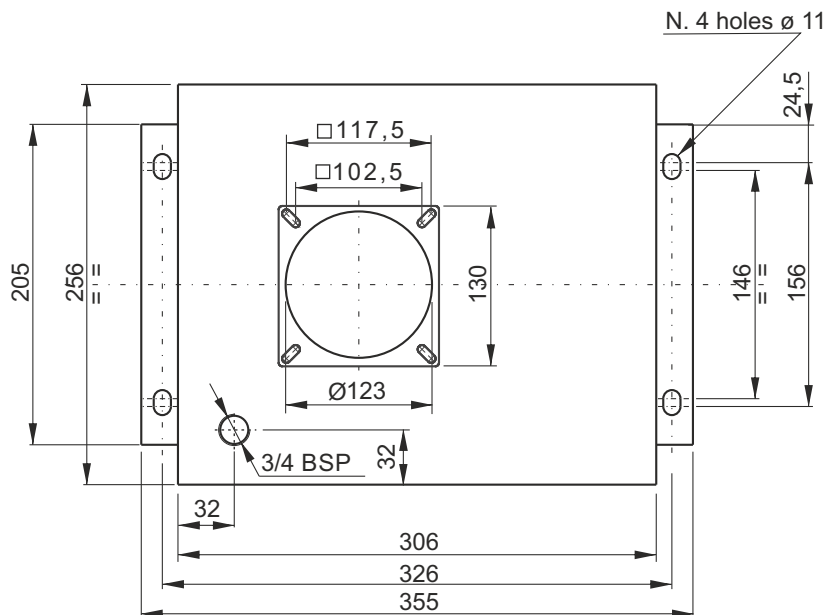
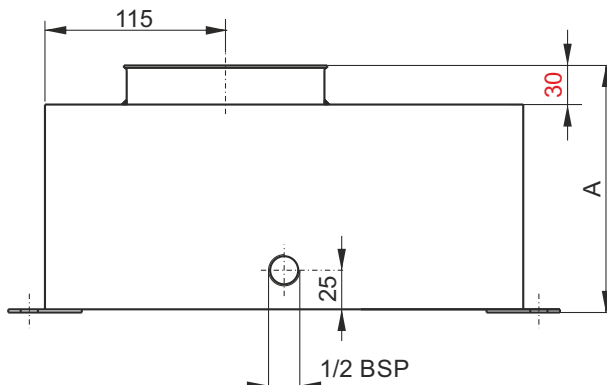


**SMALL SIZE SQUARE WELDED STEEL TANKS E SERIES**



Description	Spare part code	Assembly code	A (mm)	Weight	Actual filling volume (lt)	
					Horizontal	Vertical
8 l square vertical mounting	<b>E60303041</b>	<b>8EV</b>	156	4,50 Kg	-	10,4
15 l square vertical mounting	<b>E60303014</b>	<b>15EV</b>	260	5,20 Kg	-	18,5

All dimensions are in mm

<b>Material</b>	Fe P04-EN10130 steel sheet 1,5mm thickness
<b>Fluid</b>	Mineral based oil ISO/DIN 6743/4
<b>Working temperature</b>	-15 / +70°C

Notes: the piping kit, standard suction filter, filler/breather and drain plug are included when specifying the tank in PPC assembly code. When ordering spare parts, only the drain plug and filler/breather are included.