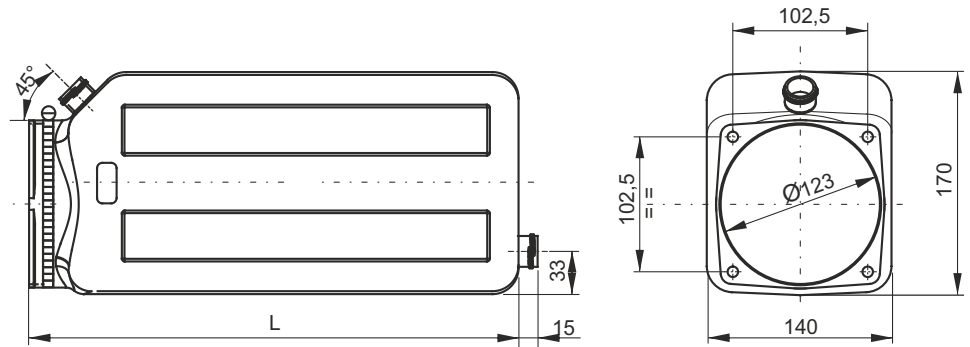
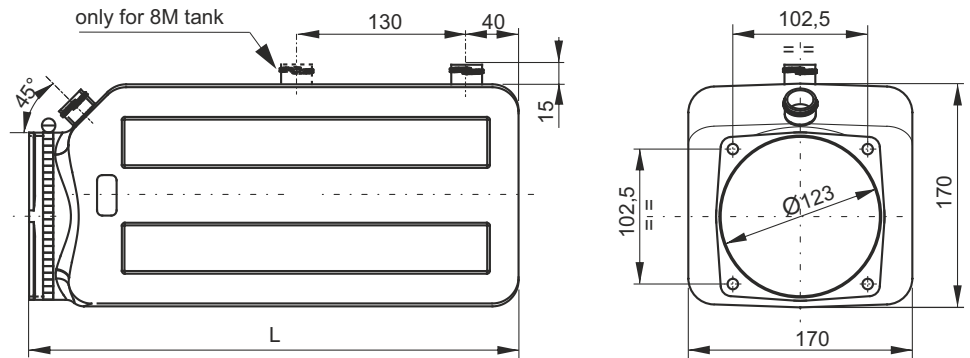


SQUARE PLASTIC TANKS L & M SERIES



Description	Spare part code	Assembly code	L (mm)	Weight	Actual filling volume (lt)	
					Horizontal	Vertical
1,5 l square horizontal / vertical mounting	H60303016	1,5L / 1,5LV	135	0,32 Kg	2,4	1,5
3 l square horizontal / vertical mounting	H60303018	3L / 3LV	250	0,42 Kg	4,4	4,2
6 l square horizontal / vertical mounting	H60303020	6L / 6LV	350	0,63 Kg	6,2	6,6



Description	Spare part code	Assembly code	L (mm)	Weight	Actual filling volume (lt)	
					Horizontal	Vertical
5 l square horizontal / vertical mounting	H60303025	5M / 5MV	270	0,60 Kg	5,8	5,7
8 l square horizontal / vertical mounting	H60303033	8M / 8MV	375	0,76 Kg	8,1	8,8

Material	PE-HD neutral / transparent colour (DO NOT EXPOSE TO DIRECT SUNLIGHT)
Fluid	Mineral based oil ISO/DIN 6743/4
Working temperature	-15 / +70°C

Notes: the piping kit, standard suction strainer and filler/breather are included when specifying the tank in PPC assembly code. When ordering spare tanks, only the filler/breather C86100003 and clamp band are included. Discharge ports are normally moulded blind.