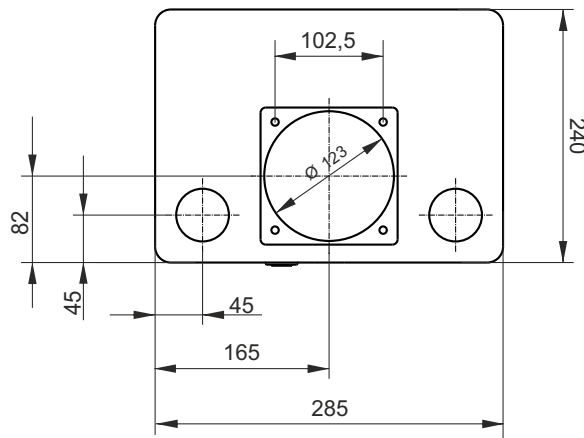
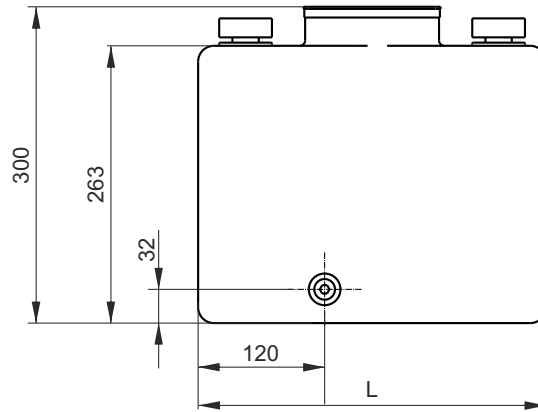


# SECTION E



## SQUARE PLASTIC TANKS N SERIES



Description	Spare part code	Assembly code	L (mm)	Weight	Actual filling volume (lt)	
					Horizontal	Vertical
15 l plastic square vertical mounting	E20201800	15NV	330	1,53 Kg	-	16,8

<b>Material</b>	PE-HD neutral / transparent colour (DO NOT EXPOSE TO DIRECT SUNLIGHT)
<b>Fluid</b>	Mineral based oil ISO/DIN 6743/4
<b>Working temperature</b>	-15 / +70°C

Notes: the piping kit, standard suction strainer and filler/breather are included when specifying the tank in PPC assembly code. When ordering spare tanks, only the filler/breather and drain plug are included. Enquire for more details.