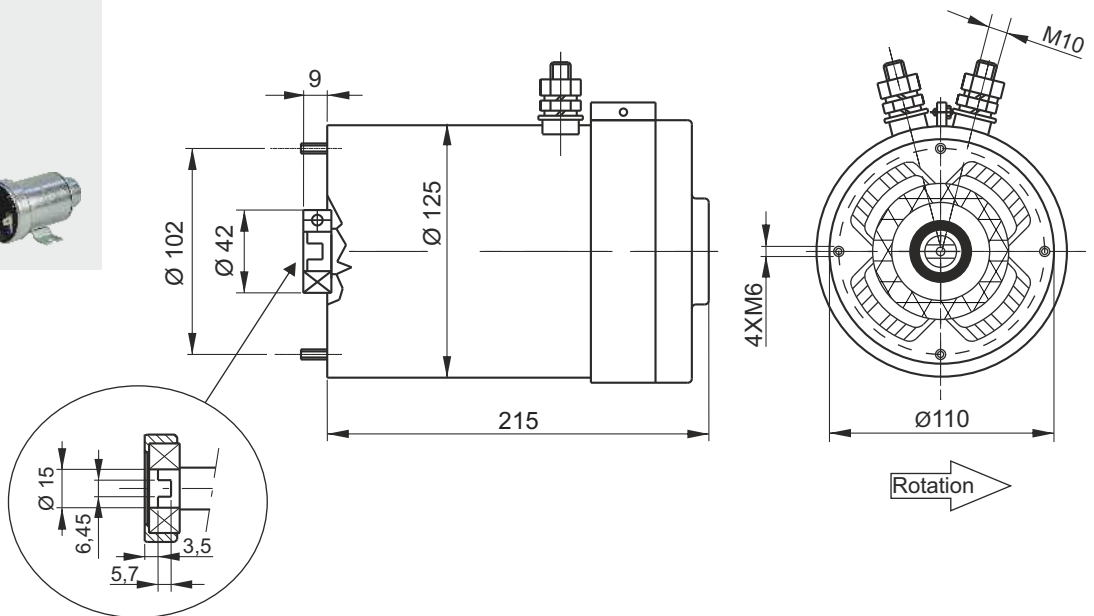


INTEGRAL DC MOTORS Ø125



Compound wound
 Protection degree: IP42
 Insulation class: F
 Weight: 11kg (without starter)



Code

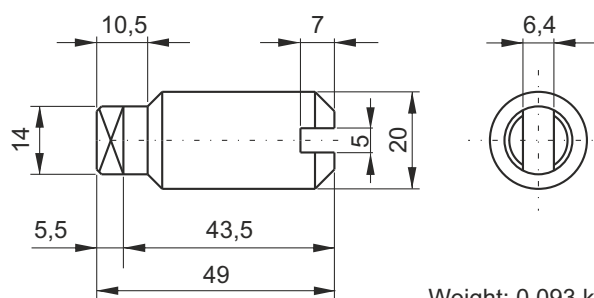
Description	Assembly code	Spare part code	Nominal duty cycle	Nominal speed	Nominal current
3000W 24 V DC + thermal protection	3 24DC_T	M46C2ST30	S2: 4min S3: 8% ED	2600 rpm	180 A
4000W 24 V DC + thermal protection	4 24DC_T	M46C2ST40	S2: 3min S3: 6% ED	3500 rpm	230 A

Options & couplings

Description	Assembly code	Spare part code
24V DC 200 Amp start switch + mounting kit	S200 24DC 125_151	M47ZC0002 + M47SK1251
Coupling for Ø114 motors-Ø125DC motors and gr.1 pump	E36200001	
Remote wired control with 2 buttons and 3m cable	P0201 (single acting)	
Remote wired control with 4 buttons and 3m cable	P0202 (double acting)	

The coupling is already included when specifying the motor in PPC assembly code.
 It is to be indicated on the order only when ordering PPC with no motor but with coupling.

Coupling E36200001



Weight: 0,093 kg