

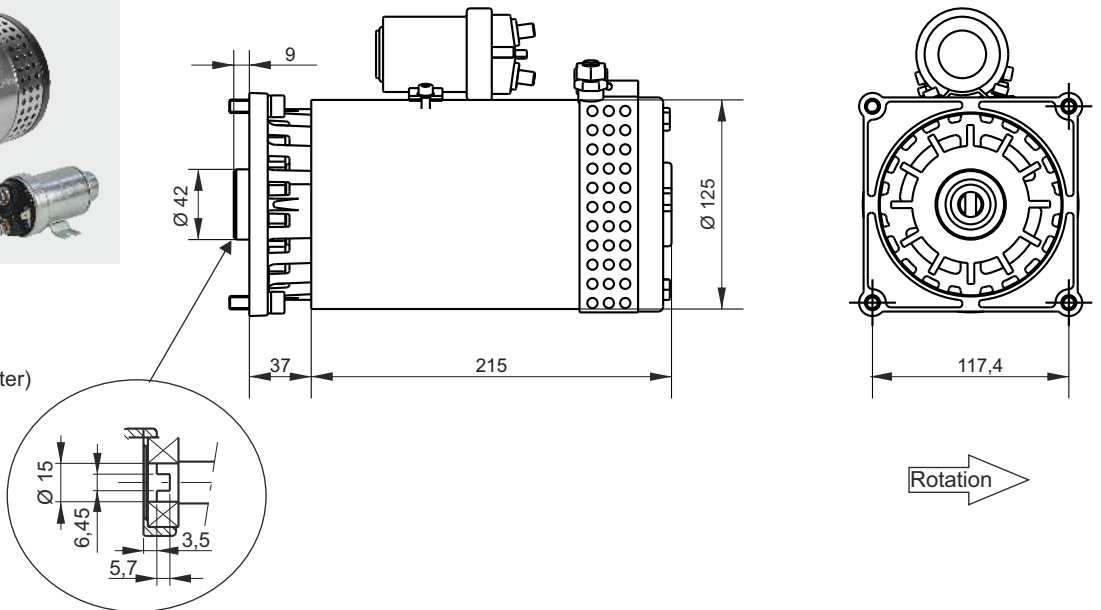
# SECTION A



## INTEGRAL DC MOTORS Ø125 WITH COOLING FAN



Compound wound (3kW)  
 Series wound (4kW)  
 Protection degree: IP20  
 Insulation class: F  
 Weight: 11,45kg (without starter)



### Code

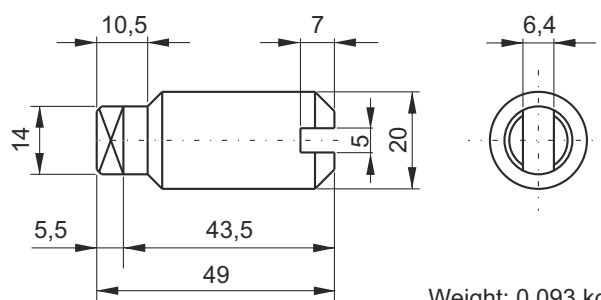
Description	Assembly code	Spare part code	Nominal duty cycle	Nominal speed	Nominal current
3000W 24 V DC with cooling fan + thermal protection	<b>3 24DC_TF</b>	<b>M46C2SF30</b>	S2: 5min S3: 8% ED	2600 rpm	180 A
4000W 24 V DC with cooling fan + thermal protection	<b>4 24DC_TF</b>	<b>M46C2SF40</b>	S2: 4min S3: 6% ED	3500 rpm	230 A

### Options & couplings

Description	Assembly code	Spare part code
24V DC 200 Amp start switch + mounting kit	<b>S200 24DC 125_151</b>	<b>M47ZC0002 + M47SK1251</b>
Coupling for Ø114 motors-Ø125DC motors and gr.1 pump	<b>E36200001</b>	
Remote wired control with 2 buttons and 3m cable	<b>P0201</b> (single acting)	
Remote wired control with 4 buttons and 3m cable	<b>P0202</b> (double acting)	

The coupling is already included when specifying the motor in PPC assembly code.  
 It is to be indicated on the order only when ordering PPC with no motor but with coupling.

### Coupling E36200001



Weight: 0,093 kg