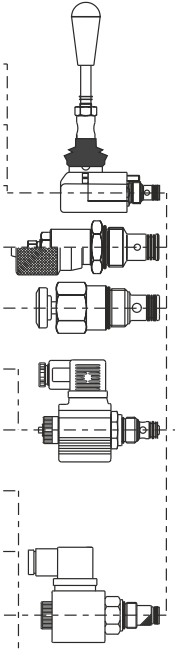


# SECTION B

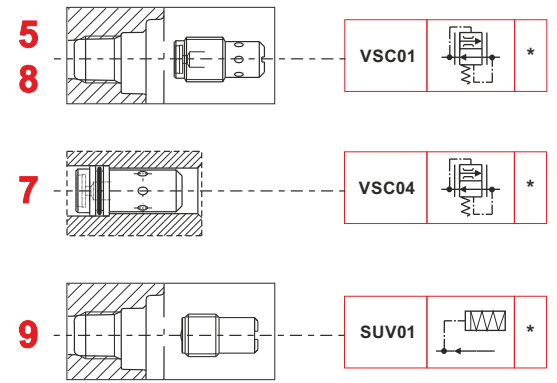
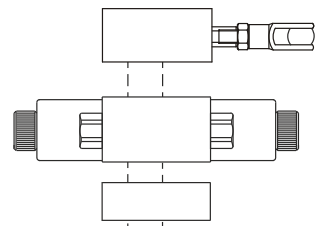


## UNIVERSAL CENTRAL MANIFOLDS «UA» - CAVITIES & INTEGRAL COMPONENTS

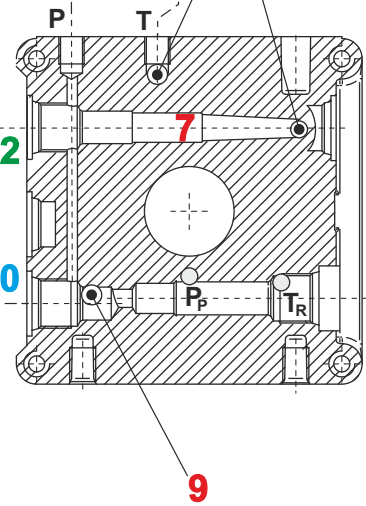
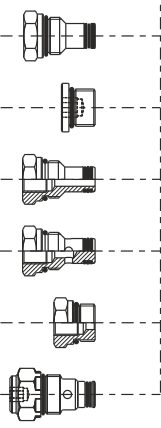
EM		CM04M
E		CM04L
U		PMC02
S		CSB04
Z		CPE04
M		MDV31E
D		MDV30E
Q		MSV31
C		MSV31E
A		MSV30
B		MSV30E
T		CSPC15



Modular blocks  
(See section F)

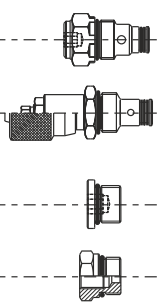


G		E70100005
L		E70100004
P		E70100006
H		E70100003
N		E70100002
J		VUC20



	E70200010	XP
	VMDC20	V*

J		VUC20
S		CSB04
L		E70100004
N		E70100002



Hydraulic scheme

