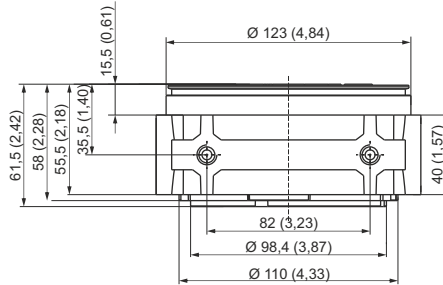


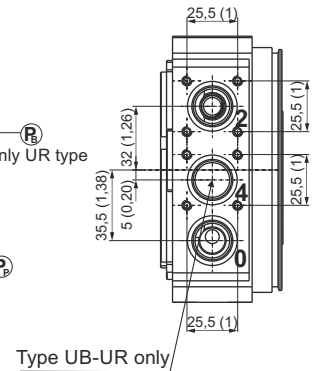
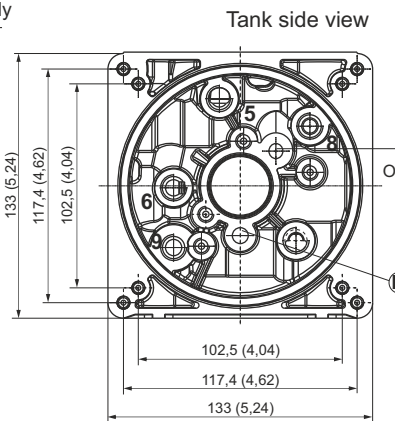
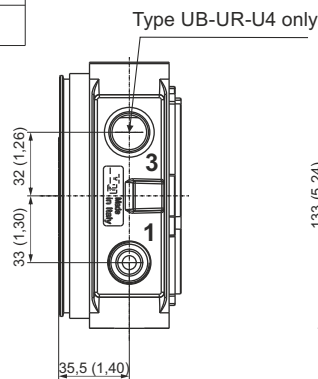
UNIVERSAL CENTRAL MANIFOLDS - OVERALL DIMENSIONS

Type	Spare part code
UA	C30401000
UB	C30402000
U4	C30404000
UR	C30405000
UAUS	C30401010
UBUS	C30402010
U4US	C30404010
URUS	C30405010

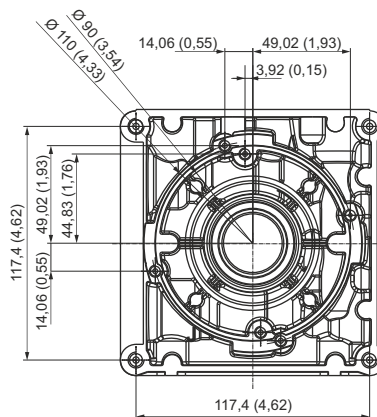
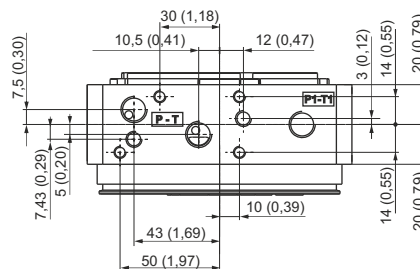


Weight: 1,1 kg (2,42 lb)

**Notes:**  
 - codes ending with **US** are according American standards, machined with 9/16-18 UNF (SAE06) P-T exit ports.  
 - all dimensions in mm (inches)



Cavity	Thread
0, 1, 2, 3, 4	3/4-16 UNF (SAE08)
P-T	1/4 BSP 9/16-18UNF (SAE06 - US type)
P <sub>1</sub> -T <sub>1</sub>	1/4 BSP (threaded on request only)
5, 6, 8, 9	1/4 BSP (cavity 9 threaded on request only)
External manifolds fixings	2 tie rods M8 4 tie rods M6 (UB type only)
Tank fixings	4 screws M6x14
Integral AC motors and B14 flanges fixings	4 screws M8x25
DC motors fixings	2 screws M6x14 or tie rods M6
Pumps fixings	2 screws M8 (see pump lenghts on the relevant tables)
Mounting Foot fixings	2 screws M10x18 3/8-16 UNC US type
PMC hand pump and CM lever valve fixings	4 screws M5x45



Motor side view