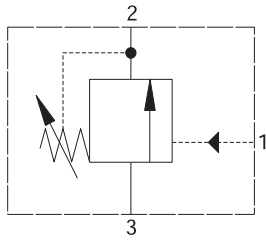


PSV4-8 - Pressure sequence valve

Spool, direct acting normally closed, internal drain
 15 L/min (4 USgpm) • 350 bar (5000 psi)



Operation

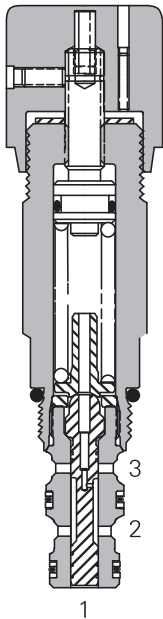
When a pre-set pilot pressure is reached the spool moves back against the spring opening the line between inlet and outlet.

When the pilot pressure falls the valve will return to its normal position.

Features

Cartridge design enabling speedy servicing when mounted in a body or in a composite manifold. Working pressure 350 bar.

Sectional view



Performance data

Ratings and specifications

Performance data is typical with fluid at 21,8 cSt (105 SUS) and 49° C (120° F)

Typical application pressure (all ports)	350 bar (5000 psi)
Cartridge fatigue pressure (infinite life)	280 bar (4000 psi)
Rated flow	15 L/min (4 USgpm)
Sequence pressure ranges	15 – 28–100 bar (400–1500 psi)
	30 – 3,4–210 bar (50–3000 psi)
	50 – 124–350 bar (1800–5000 psi)
Reseat pressure	More than 90% of cracking pressure
Internal leakage	5 in3/min @ 210 bar (3000 psi)
Hysteresis	less than 3 bar (45 psi)
Temperature range	-40° to 120°C (-40° to 248°F)
Cavity	C-8-3
Fluids	All general purpose hydraulic fluids such as: MIL-H-5606, SAE 10, SAE 20, etc.
Filtration	Cleanliness Code 18/16/13
Standard housing materials	Aluminum or steel
Weight cartridge only	0,21 kg (0,47 lbs)
Seal kits	02-160755 Buna N 02-160756 Viton®

Viton is a registered trademark of E.I. DuPont

Description

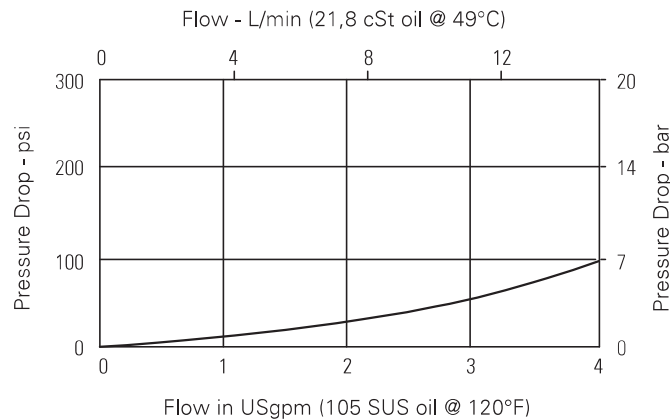
This valve provides a means of opening a pressure line when a predetermined pilot pressure is reached in a normally closed form.

The valve can be used in any pilot or small flow system as a remotely operated sequence valve.

Pressure drop curve

Port 3 to 2,
 valve fully open

Cartridge only

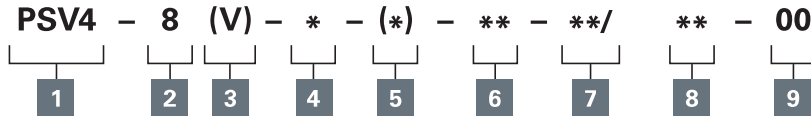


Where measurements are critical request certified drawings. We reserve the right to change specifications without notice.

PSV4-8 - Pressure sequence valve

Spool, direct acting normally closed, internal drain
15 L/min (4 USgpm) • 350 bar (5000 psi)

Model code



1 Function

PSV4 - Pressure sequence valve

2 Size

8 - 8 size

3 Seal material

Blank - Buna-N
V - Viton®

4 Adjustment

C - Cap
K - Knob
S - Screw

5 Valve housing material

Omit for cartridge only
S - Steel
A - Aluminum

6 Port size

0 - Cartridge only

Code	Port size	Housing number	
4T	SAE 6	02-160741	02-160745
6T	SAE 6	02-160742	02-160746
2G	1/4" BSPP	02-160739	02-160743
3G	3/8" BSPP	02-160740	02-160744

See section J for housing details.

7 Sequence pressure range

Note: Code based on pressure in psi.

15 - 28-100 bar (400-1500 psi)
30 - 34-210 bar (500-3000 psi)
50 - 124-350 bar (1800-5000 psi)

8 Pressure setting

Optional - Specify in 100 psi increments. If not specified, set at:

15 - 52 bar (750 psi)
30 - 100 bar (1500 psi)

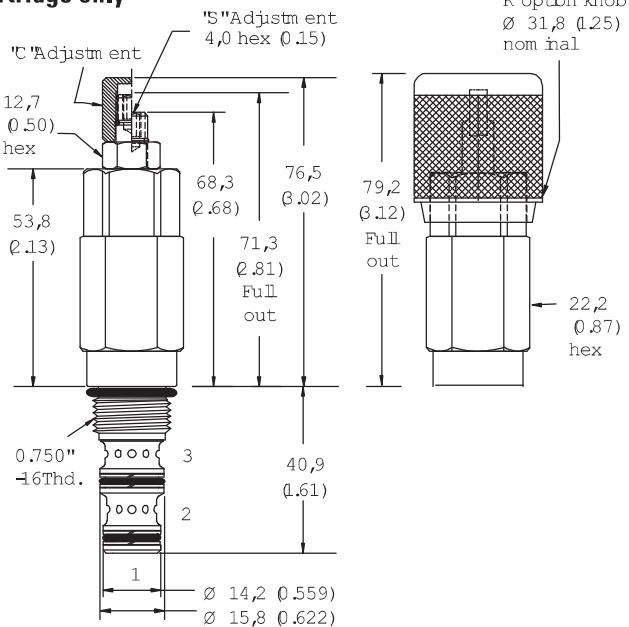
9 Special features

00 - None
(Only required if valve has special features, omitted if "00.")

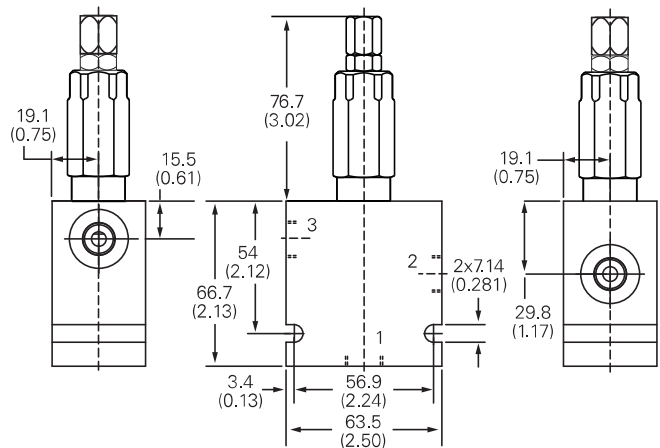
Dimensions

mm (inch)

Cartridge only



Installation drawing (Steel)



Warning

Aluminum housings can be used for pressures up to 210 bar (3000 psi). Steel housings must be used for operating pressures above 210 bar (3000 psi).

Torque cartridge in aluminum or steel housing
34-41 Nm (25-30 ft. lbs)

Where measurements are critical request certified drawings. We reserve the right to change specifications without notice.