

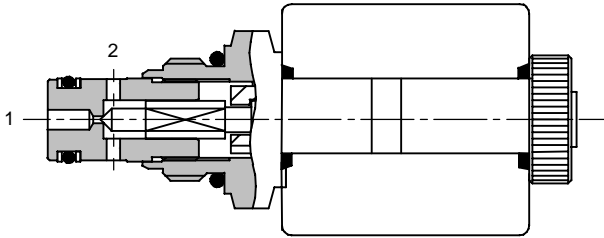


S215 Directional Control Valve 2-Way, 2-Position Bi-Directional Poppet

Up to 1 litre/min (0.26 US GPM) • Up to 210 bar (3000 PSI)

S215

NORMALLY CLOSED



FEATURES

- Very low leakage poppet design.
- Standard valve bodies and common cavities.
- One-piece encapsulated coil with minimal amperage draw.
- Oil immersed armature solenoid.
- Various coil terminals and voltages.
- Coil interchangeability with all Series S2 valves.
- Manual override, seal variations and other options available.
- Sealed coil arrangement to protect stem from corrosion.

COIL INFORMATION

(See Page 11-1021)

Part Number: C13-*-/27

Voltage available: 12, 24 VDC
110, 220 VAC*

* AC coils must be used with a rectifying connector.

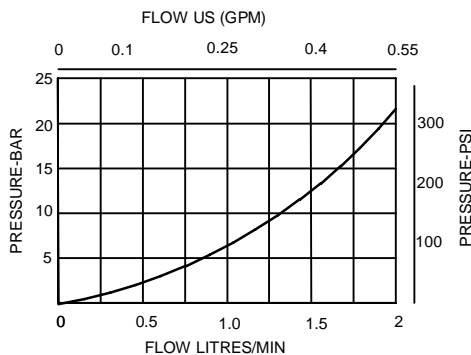
SPECIFICATIONS

Basic Model Code	S215
Symbol	
Max. Working Pressure	210 bar (3000 psi)
Flow Rating	See performance graphs
Nominal flow (at Delta P = 5 bar (70 psi))	1 litres/min (0.26 US GPM)
Internal Leakage	Less than 0.3 ml/min (5 dpm) 210 bar differential at 32 centistokes
Temperature Range	-20 to +120°C (-4 to +248°F)
Nominal Viscosity Range	15 to 250 centistokes
Recommended Filtration	BS5540/4 18/13 (25 micron or better)
Fluid	Compatible with most general purpose hydraulic fluids
Seal Material	Standard nitrile with PTFE back up rings
Seal Kit Number	SK1043 (Nitrile) SK1043V (Viton)
Mounting Position	Unrestricted
Cartridge Weight	0.15 kg (0.3 lbs)
Coil Weight	0.2 kg (0.4 lbs)
Cavity Number	A879 (See Section 17)
Torque into Cavity	20 Nm (15 lbs ft)
Electrical Data	See coil data sheet
Line Body Material	Aluminium Alloy

11

PRESSURE DROP v's FLOW

Viscosity = 32 cSt (150 SSU)



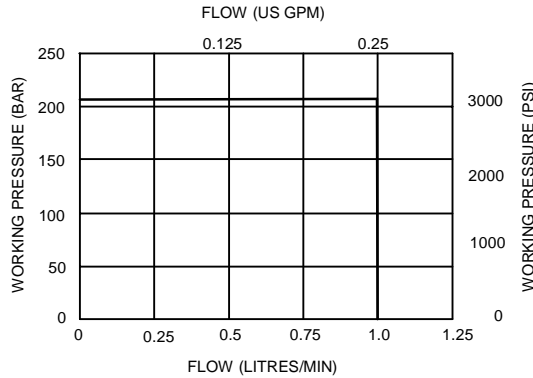
Integrated Hydraulics Ltd

Collins Road, Heathcote Ind. Est., Warwick, CV34 6TF, UK.
Tel: +44 (0) 1926 881171 Fax: +44 (0) 1926 315729
Website: www.integratedhydraulics.com

Integrated Hydraulics Inc

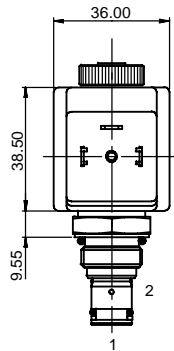
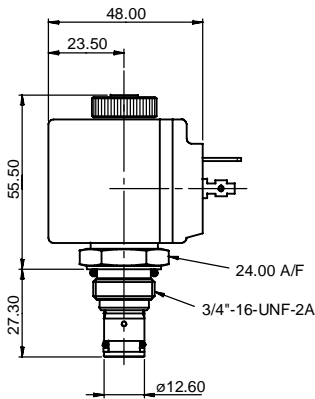
7047 Spinach Drive, Mentor, Ohio 44060, USA
Tel: (440) 974 3171 Fax: (440) 974 3170
Website: www.integratedhydraulics.com

PERFORMANCE



CARTRIDGE ONLY

BASIC CODE: S215



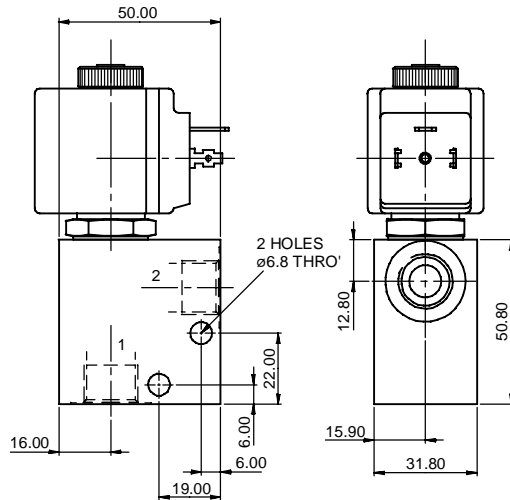
COMPLETE VALVE

1/4" 3/8" PORTS

BASIC CODE: S215

Body ONLY part numbers

BSP, aluminium	SAE, aluminium	BSP, steel	SAE, steel
1/4" A1485	3/8" A15676	3/8" A14175	3/8" A14843
3/8" A1043			



Where measurements are critical request certified drawings

ORDERING CODE EXAMPLE

S215 N H 24 3W

Basic Code
S215

Seals
N = Nitrile
V = Viton

Manual Override (consult factory for availability)
1 = Push and Twist
2 = Screw

Port Sizes

2W = 1/4" BSP
3W = 3/8" BSP
6T = 3/8" SAE

Voltage

12 = 12 VDC
24 = 24 VDC
110 = 110 VAC
220 = 220 VAC

Coil Termination

H = DIN43650
F = Flying Leads
DM = Deutsch Moulded
Other terminations available on request

We reserve the right to change specifications without notice