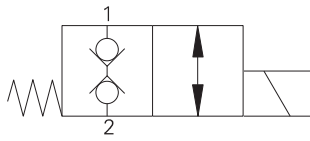


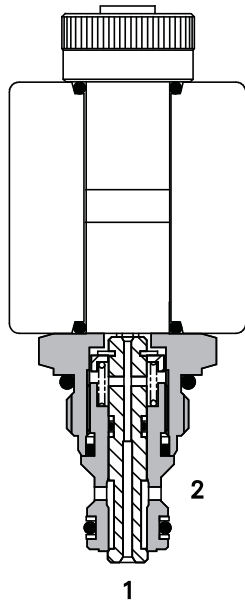
# S217A - Directional control valve

Bi-directional, normally closed poppet solenoid valve  
 Up to 10 L/min (2.6 USgpm) • Up to 210 bar (3000 psi)

A



## Sectional view



## Description

This is a direct acting, electrically operated 2 way 2 position normally closed poppet style screw in cartridge valve. Ideal for load holding and load lowering applications.

## Operation

In the de-energized position the valve is blocked in both directions. When the solenoid is energized the poppet is pushed off the seat allowing flow in both directions.

## Features

- Very low leakage poppet design.
- Standard valve bodies and common cavities.
- One-piece encapsulated coil with minimal amperage draw.
- Oil immersed armature solenoid.
- Various coil terminals and voltages.
- Coil interchangeability with valves of same series.
- Manual override, seal variations and other options available.
- Sealed coil arrangement to protect stem from corrosion.

## Performance data

### Ratings and specifications

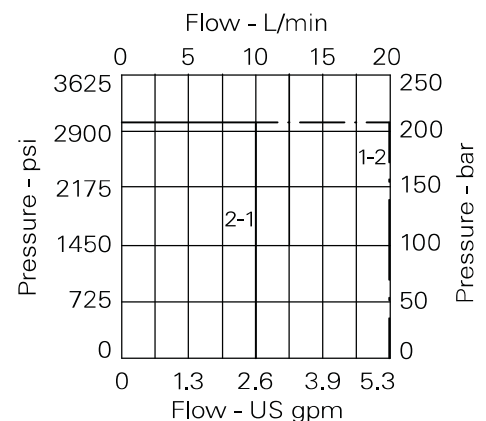
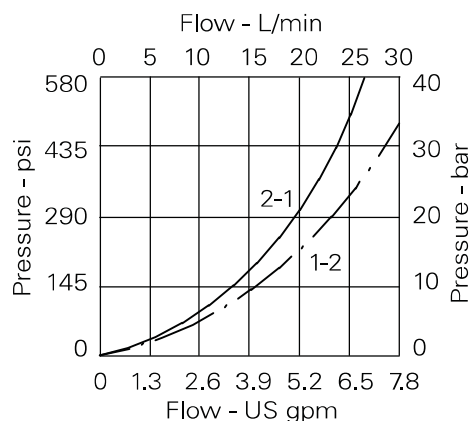
Performance data is typical with fluid at Viscosity 32 cST (150 SSU)

Typical application pressure	210 bar (3000 psi)
Rated flow	Up to 10 L/min (2.6 USgpm)
Nominal flow	10 L/min (2.6 USgpm)
Internal leakage	Less than 0.6 ml/min (10 dpm) 210 bar differential at 32 cSt
Temperature range	-30° to +120°C (-22° to +248°F)
Cavity	A879 (see Section M)
Electrical data	See coil data sheet
Torque cartridge into cavity	20 Nm (15 lbs ft)
Mounting position	Unrestricted
Fluids	All general purpose hydraulics fluids such as: MIL-H-5606, SAE 10, SAE 20 etc
Seal material	Standard nitrile with PTFE back up rings
Filtration	BS5540/4 Class 18/13 (25 micron or better)
Nominal viscosity range	15 to 250 cSt
Standard housing materials	Aluminium alloy
Coil weight	0.2 kg (0.4 lbs)
Cartridge weight	0.2 kg (0.4 lbs)
Seal kit	SK1043 (Nitrile) SK1043V (Viton)
Coil part number	C13-*-*/*27
Coil voltage available	12, 24 VDC, 110, 220, VAC*

Viton is a registered trademark of E.I. DuPont

\*AC coils must be used with a rectifying connector

## Pressure drop

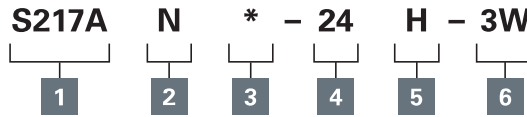


Where measurements are critical request certified drawings. We reserve the right to change specifications without notice.

# S217A - Directional control valve

Bi-directional, normally closed poppet solenoid valve  
Up to 10 L/min (2.6 USgpm) • Up to 210 bar (3000 psi)

## Model code



### 1 Function

**S217A** - Normally open

### 2 Seal material

**N** - Nitrile

**V** - Viton<sup>®</sup>

### 3 Manual Override

**2** - Screw

**3** - Push

(Consult factory for availability)

See page A-980.

### 4 Voltage

**12** - 12 VDC

**24** - 24 VDC

**110** - 110 VAC

**220** - 220 VAC

### 5 Coil Termination

**H** - ISO 4400 DIN 43650

**F** - Flying lead

**DM** - Deutsch moulded

Other terminations available on request.

### 6 Port sizes

Code	Port size	Housing number	
		Aluminium	Steel
<b>2W</b>	1/4" BSP	A1485	
<b>3W</b>	3/8" BSP	A1043	A14175
<b>6T</b>	3/8" SAE	A15676	A14843

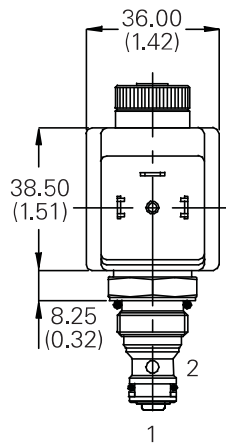
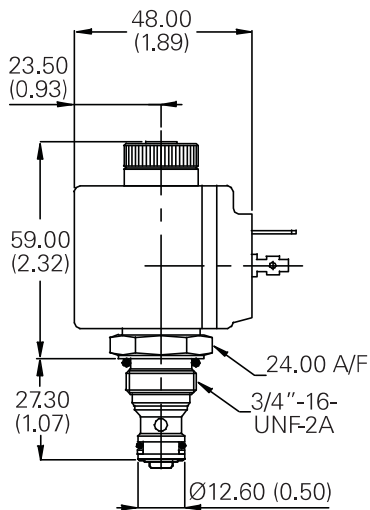
## Dimensions

mm (inch)

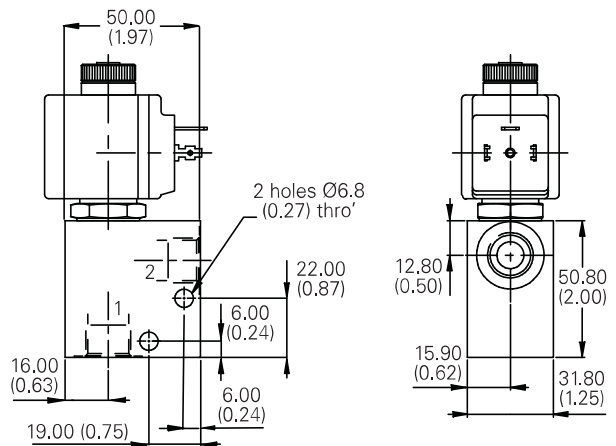
### Cartridge only

Basic code

**S217**



### Installation drawing



Where measurements are critical request certified drawings. We reserve the right to change specifications without notice.