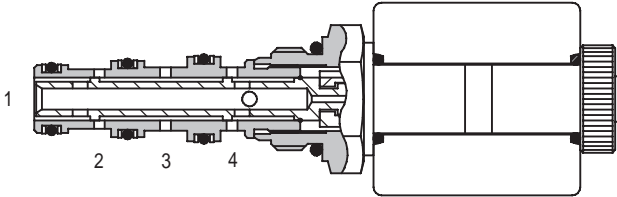




S242(H) Directional Control Valve - 4-Way, 2-Position Spool

Up to 15 litres/min (4 US GPM) • Up to 210 bar (3000 PSI)

S242(H)



FEATURES

- High flow capacity with reduced space requirements.
- No dynamic seals.
- Standard valve bodies and common cavities.
- One-piece encapsulated coil with minimal amperage draw.
- Oil immersed armature solenoid.
- Various coil terminals and voltages.
- Coil interchangeability with all Series S2 valves.
- Manual override, seal variations and other options available.
- Sealed coil arrangement to protect stem from corrosion.
- Reversible coil without affecting performance.

COIL INFORMATION

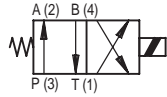
(See Page 11-1021)

Part Number: C13-*-/14 (S242)
C13-*-/27 (S242H)

Voltage available: 12, 24 VDC
110, 220 VAC*

* AC coils must be used with a rectifying connector.

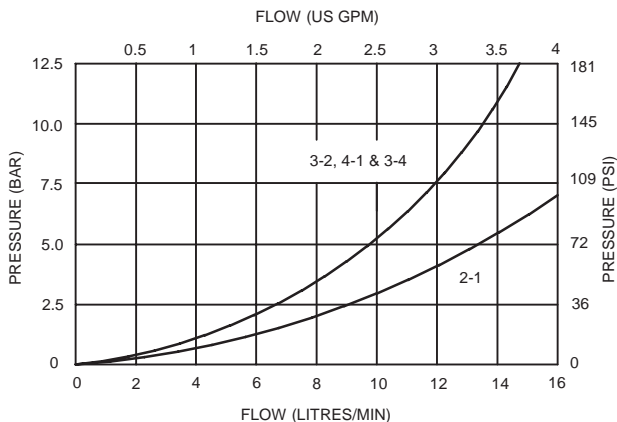
SPECIFICATIONS

Basic Model Code	S242 (std) / S242H (heavy duty)
Symbol	
Max. Working Pressure	210 bar (3000 psi)
Flow Rating	See performance graphs
Nominal Flow (at Delta P = 5 bar (70 psi))	11 litres/min (3 US GPM)
Internal Leakage	Less than 60 ml/min past each land 210 bar differential at 32 centistokes
Temperature Range	-20 to +120°C (-4 to +248°F)
Nominal Viscosity Range	15 to 250 centistokes
Recommended Filtration	BS5540/4 18/13 (25 micron or better)
Fluid	Compatible with most general purpose hydraulic fluids
Seal Material	Standard nitrile with PTFE back up rings
Seal Kit Number	SK974 (Nitrile) SK974V (Viton)
Mounting Position	Unrestricted
Cartridge Weight	0.13 kg (0.3 lbs)
Coil Weight	0.2 kg (0.4 lbs)
Cavity Number	A6951 (See Section 17)
Torque into Cavity	20 Nm (15 lbs ft)
Electrical Data	See coil data sheet
Line Body Material	Aluminium Alloy

11

PRESSURE DROP v's FLOW

Viscosity = 32 cSt (150 SSU)



Integrated Hydraulics Ltd

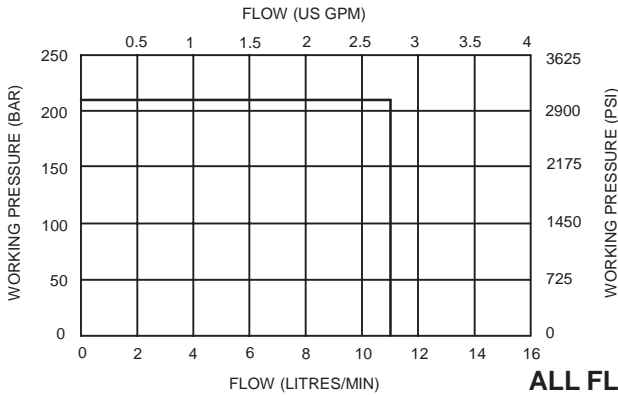
Collins Road, Heathcote Ind. Est., Warwick, CV34 6TF, UK.
Tel: +44 (0) 1926 881171 Fax: +44 (0) 1926 315729
Website: www.integratedhydraulics.com

Integrated Hydraulics Inc

7047 Spinach Drive, Mentor, Ohio 44060, USA
Tel: (440) 974 3171 Fax: (440) 974 3170
Website: www.integratedhydraulics.com

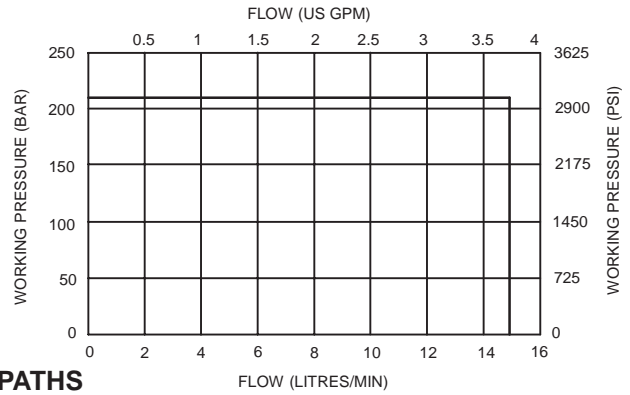
PERFORMANCE

S242 (Standard valve)



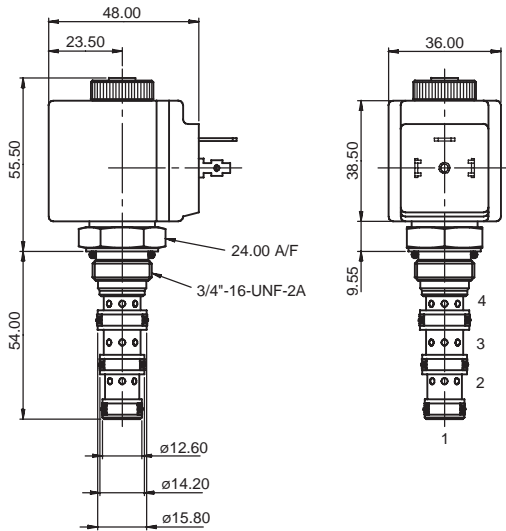
PERFORMANCE

S242H (Heavy duty valve)



CARTRIDGE ONLY

BASIC CODE: S242 / S242H

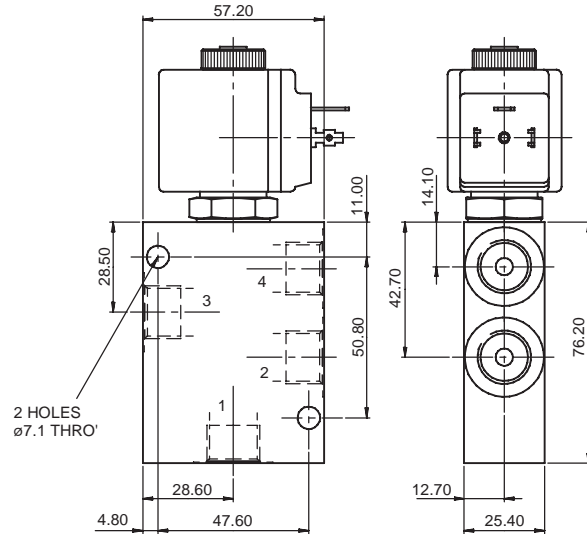


COMPLETE VALVE

BASIC CODE: S242 / S242H 1/4" 3/8" PORTS

Body ONLY part numbers

BSP, aluminium SAE, aluminium
1/4" B13383 3/8" B19362
3/8" B7498



Where measurements are critical request certified drawings

ORDERING CODE EXAMPLE

S242* N H 24 3W

Basic Code

S242 = (standard valve)
S242H = (heavy duty valve)

Seals

N = Nitrile
V = Viton

Manual Override (consult factory for availability)

1 = Push and twist
2 = Screw

Port Sizes

2W = 1/4" BSP **6T** = 3/8" SAE
3W = 3/8" BSP

Voltage

12 = 12 VDC **110** = 110 VAC
24 = 24 VDC **220** = 220 VAC

Coil Termination

H = DIN43650
F = Flying Leads
DM = Deutsch Moulded
Other terminations available on request

We reserve the right to change specifications without notice