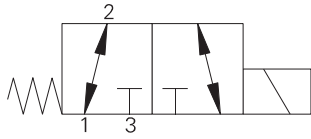


# S521(H) - Solenoid valve

3-way, 2-position spool type solenoid valve  
Up to 44 L/min (11.5 USgpm) • Up to 210 bar (3000 psi)

A



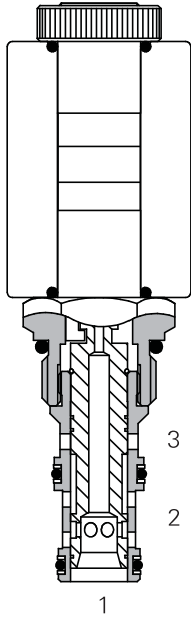
## Operation

In the de-energized position this valve allows flow from port 2 to 1 while port 3 is blocked. In the energized position flow is allowed from port 2 to port 3 while port 1 is blocked.

## Features

- High flow capacity with reduced space requirements.
- No dynamic seals.
- Standard valve bodies and common cavities.
- One-piece encapsulated coil with minimal amperage draw.
- Oil immersed armature solenoid.
- Various coil terminals and voltages.
- Coil interchangeability with Series S5 valves.
- Manual override, seal variations and other options available.
- Sealed coil arrangement to protect stem from corrosion.

## Sectional view



## Performance data

### Ratings and specifications

Figures based on Viscosity 32 cSt (150 SSU)

Actuator port location	Port 2
Max working pressure	210 bar (3000 psi)
Rated flow	See performance graphs
Nominal flow at $\Delta P = 5 \text{ bar (70 psi)}$	17 L/min
Internal leakage	Less than 120 ml/min past each land 210 bar differential
Temperature range	-30° to +120°C (-22° to +248°F)
Cavity	C-10-3 (see Section M)
Electrical data	See coil data sheet
Torque cartridge into cavity	30 Nm (22 lbs ft)
Mounting position	Unrestricted
Fluids	All general purpose hydraulics fluids such as: MIL-H-5606, SAE 10, SAE 20 etc
Seal material	Standard nitrile with PTFE back up rings
Filtration	BS5540/4 Class 18/13 (25 micron or better)
Nominal viscosity range	15 to 250 cSt
Standard housing materials	Aluminium alloy
Coil Weight	0.3 kg (0.6 lbs)
Weight	0.2 kg (0.4 lbs)
Seal kit	SK1030 (Nitrile) SK1030V (Viton®)
Coil part number	C16-*-*/19 (S521) C16-*-*/29(S521H)
Coil voltage available	12, 24 VDC, 110, 220, VAC*

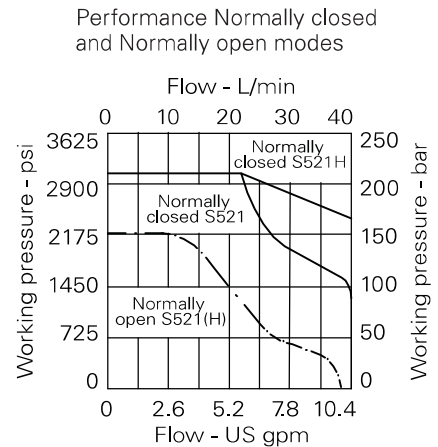
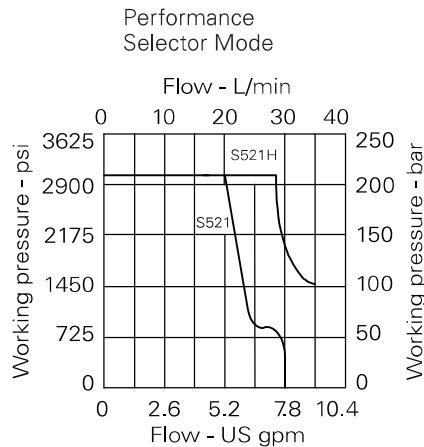
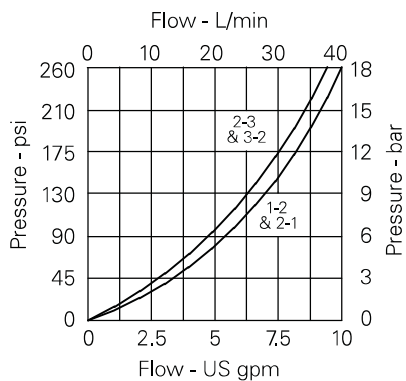
Viton is a registered trademark of E.I. DuPont

\*AC coils must be used with a rectifying connector

## Description

This is a 3-way 2-position, direct acting, spool type solenoid valve. This valve can be used in applications requiring separate pressure and tank lines, such as a single acting cylinder or any other application where a three way two position solenoid valve is needed.

## Pressure drop

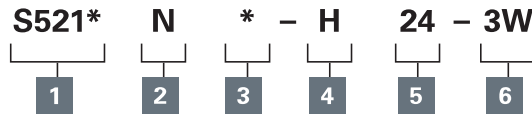


Where measurements are critical request certified drawings. We reserve the right to change specifications without notice.

# S521(H) - Solenoid valve

3-way, 2-position spool type solenoid valve  
Up to 44 L/min (11.5 USgpm) • Up to 210 bar (3000 psi)

## Model code



### 1 Function

**S521** - Standard valve  
**S521(H)** - Heavy duty valve

### 2 Seal material

**N** - Nitrile  
**V** - Viton®

### 3 Manual Override

**2** - Screw  
(Consult factory for availability).  
See page A-960.

### 4 Coil Termination

**H** - DIN43650  
**F** - Flying leads  
**DM** - Deutsch moulded  
Other terminations available on request.

### 5 Voltage

**12** - 12 VDC  
**24** - 24 VDC  
**110** - 110 VAC  
**220** - 220 VAC

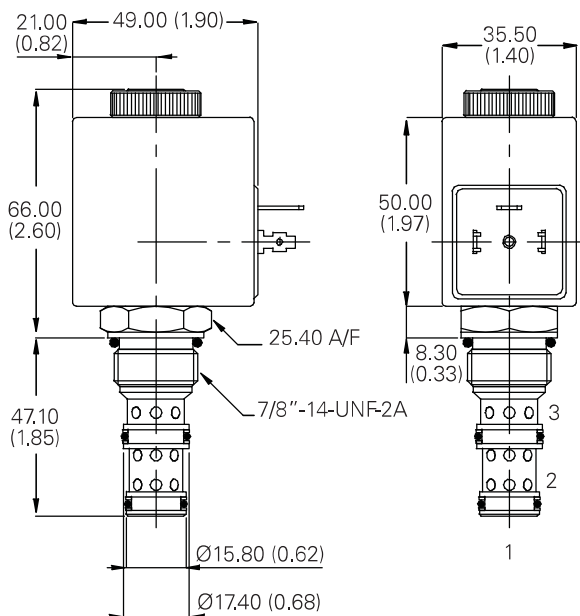
### 6 Port size

Code	Port size	Housing number - body only
		Aluminium
<b>3W</b>	3/8" BSP	B18982
<b>4W</b>	1/2" BSP	B19358
<b>8T</b>	1/2" SAE	B19360

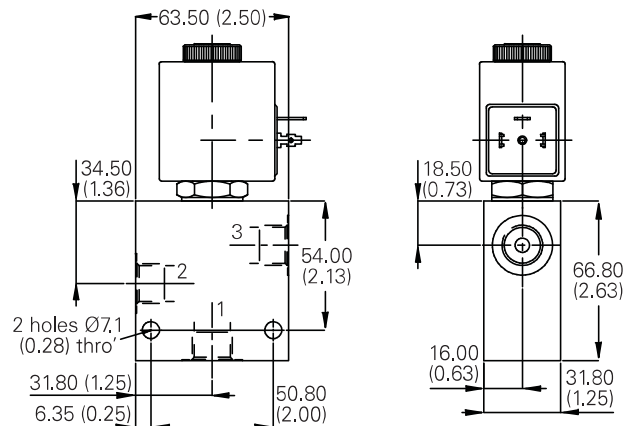
## Dimensions

mm (inch)

### Cartridge only



### Installation drawing



Where measurements are critical request certified drawings. We reserve the right to change specifications without notice.