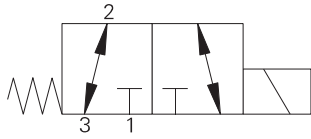


S525(H) - Solenoid valve

3-way, 2-position spool type solenoid valve
Up to 30 L/min (8 USgpm) • 2.10 bar (3000 psi)

A



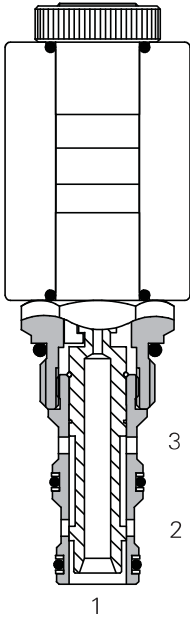
Operation

In the de-energized position this valve allows flow from port 2 to 3 while port 1 is blocked. In the energized position flow is allowed from port 1 to port 2 while port 3 is blocked.

Features

- High flow capacity with reduced space requirements.
- No dynamic seals.
- Standard valve bodies and common cavities.
- One-piece encapsulated coil with minimal amperage draw.
- Oil immersed armature solenoid.
- Various coil terminals and voltages.
- Coil interchangeability with Series S5 valves.
- Manual override, seal variations and other options available.
- Sealed coil arrangement to protect stem from corrosion.

Sectional view



Performance data

Ratings and specifications

Performance data is typical based on Viscosity 32 cSt (150 SSU)

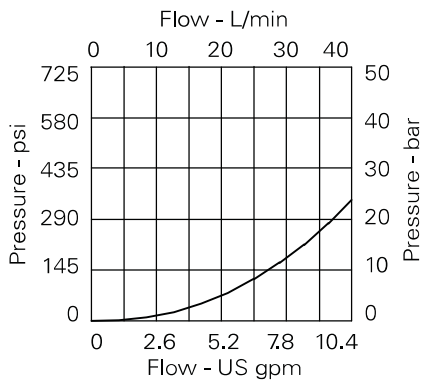
Actuator port location	Port 2
Max working pressure	210 bar (3000 psi)
Rated flow	See performance graphs
Nominal flow at $\Delta P = 5$ bar (70 psi)	25 L/min (6.5 USgpm)
Internal leakage	Less than 120 ml/min 210 bar differential
Temperature range	-30° to 120°C (-22° to 248°F)
Cavity	C-10-3 (See Section M)
Electrical data	See coil data sheet
Torque cartridge into cavity	30 Nm (22 lbs ft)
Mounting position	Unrestricted
Fluids	Most general purpose hydraulics fluids such as: MIL-H-5606, SAE 10, SAE 20 etc
Seal material	Standard nitrile with PTFE back up rings
Filtration	BS5540/4 Class 18/13 (25 micron or better)
Nominal viscosity range	15 to 250 cSt
Standard housing materials	Aluminium alloy
Coil weight	0.3 kg (0.6 lbs)
Cartridge weight	0.2 kg (0.4 lbs)
Seal kit	SK1030 (Nitrile) SK1030V (Viton®)
Coil part number	C16*-/19 (3525) C16*-/29 (5525H)
Coil voltage available	12, 24 VDC, 110, 220, VAC*

Viton is a registered trademark of E.I. DuPont
*AC coils must be used with a rectifying connector

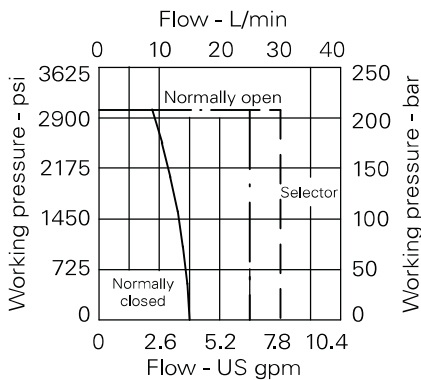
Description

This is a 3-way 2-position, direct acting, spool type solenoid valve. This valve can be used in applications requiring separate pressure and tank lines, such as a single acting cylinder or any other application where a three way two position solenoid valve is needed.

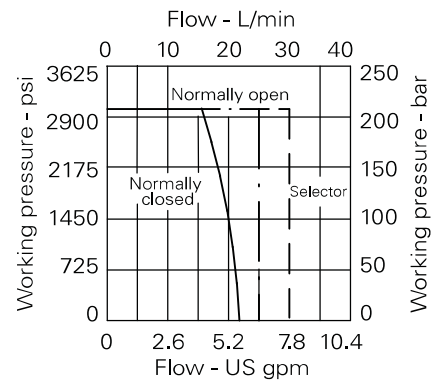
Pressure drop



Performance S525



Performance S525H

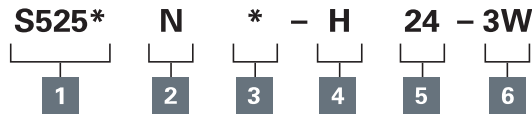


Where measurements are critical request certified drawings. We reserve the right to change specifications without notice.

S525(H) - Solenoid valve

3-way, 2-position spool type solenoid valve
Up to 30 L/min (8 USgpm) • 210 bar (3000 psi)

Model code



A

1 Function

S525 - Standard valve
S525H - Heavy duty valve

2 Seal material

N - Nitrile
V - Viton®

3 Manual override

2 - Screw
(Consult factory for availability).
See page A-960.

4 Coil Termination

H - DIN43650
F - Flying leads
DM - Deutsch moulded
Other terminations available on request.

5 Voltage

12 - 2 VDC
24 - 24 VDC
110 - 110 VAC
220 - 220 VAC

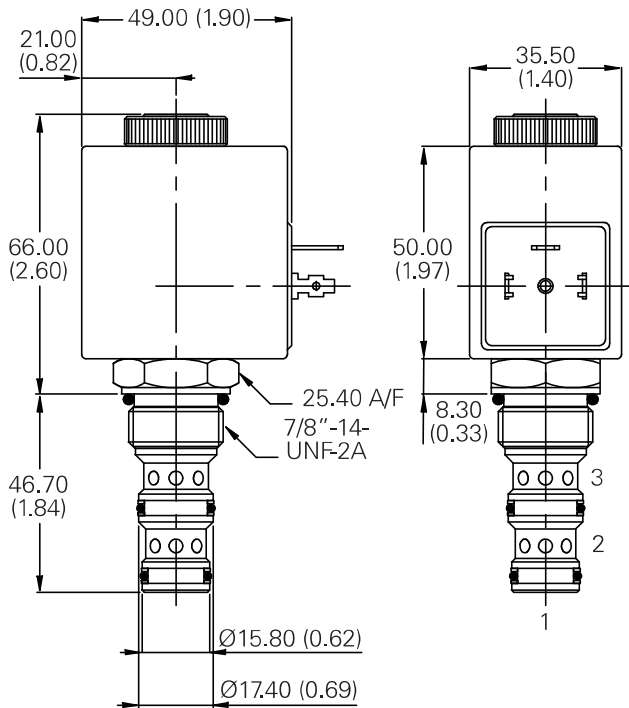
6 Port size

Code	Port size	Housing number - body only
		Aluminium
3W	3/8" BSP	B18982
4W	1/2" BSP	B19358
8T	1/2" SAE	B19360

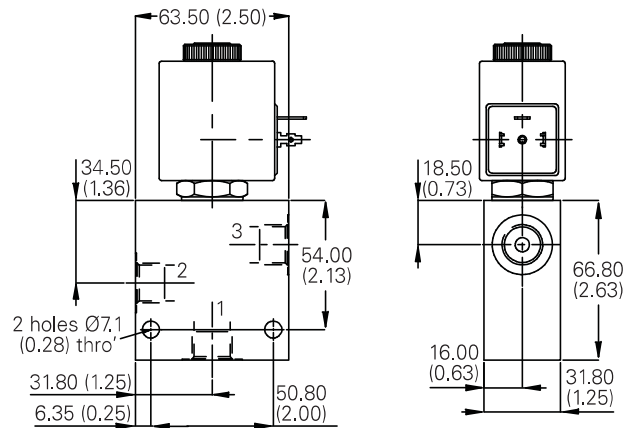
Dimensions

mm (inch)

Cartridge only



Installation drawing



Where measurements are critical request certified drawings. We reserve the right to change specifications without notice.