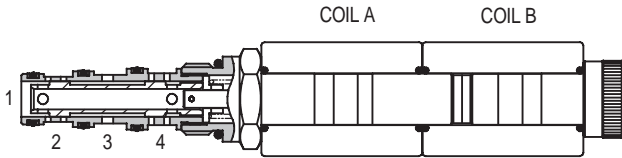




# S571 Directional Control Valve - 4-Way, 3-Position Spool

Up to 34 litres/min (8.7 US GPM) • Up to 210 bar (3000 PSI)

## S571



## FEATURES

- High flow capacity with reduced space requirements.
- No dynamic seals.
- Standard valve bodies and common cavities.
- One-piece encapsulated coil with minimal amperage draw.
- Oil immersed armature solenoid.
- Various coil terminals and voltages.
- Coil interchangeability with all Series S5 valves.
- Manual override, seal variations and other options available.
- Sealed coil arrangement to protect stem from corrosion.

## COIL INFORMATION

(See Page 11-1021)

Part Number: C16-\*/19 (two per valve)

Voltage available: 12, 24 VDC  
110, 220 VAC\*

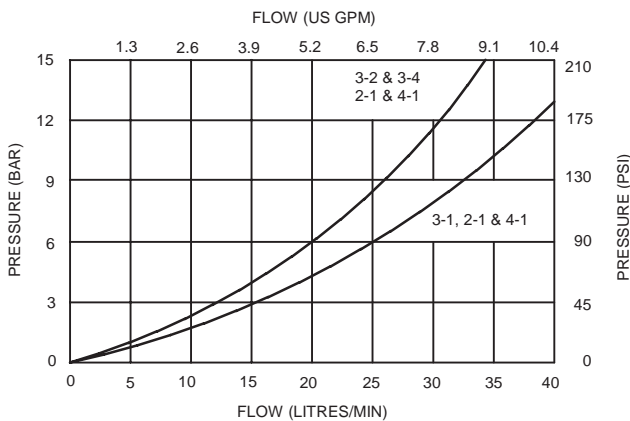
\* AC coils must be used with a rectifying connector.

## SPECIFICATIONS

<b>Basic Model Code</b>	S571
<b>Symbol</b>	
<b>Max. Working Pressure</b>	210 bar (3000 psi)
<b>Flow Rating</b>	See performance graphs
<b>Nominal Flow (at Delta P = 5 bar (70 psi))</b>	18 litres/min (4.7 US GPM)
<b>Internal Leakage</b>	Less than 120 ml/min past each land 210 bar differential at 32 centistokes
<b>Temperature Range</b>	-20 to +120°C (-4 to +248°F)
<b>Nominal Viscosity Range</b>	15 to 250 centistokes
<b>Recommended Filtration</b>	BS5540/4 18/13 (25 micron or better)
<b>Fluid</b>	Compatible with most general purpose hydraulic fluids
<b>Seal Material</b>	Standard nitrile with PTFE back up rings
<b>Seal Kit Number</b>	SK1034 (Nitrile) SK1034V (Viton)
<b>Mounting Position</b>	Unrestricted
<b>Cartridge Weight</b>	0.25 kg (0.5 lbs)
<b>Coil Weight</b>	0.3 kg (0.6 lbs) - two per valve
<b>Cavity Number</b>	A12744 (See Section 17)
<b>Torque into Cavity</b>	30 Nm (22 lbs ft)
<b>Electrical Data</b>	See coil data sheet
<b>Line Body Material</b>	Aluminium Alloy

## PRESSURE DROP v's FLOW

Viscosity = 32 cSt (150 SSU)



### Integrated Hydraulics Ltd

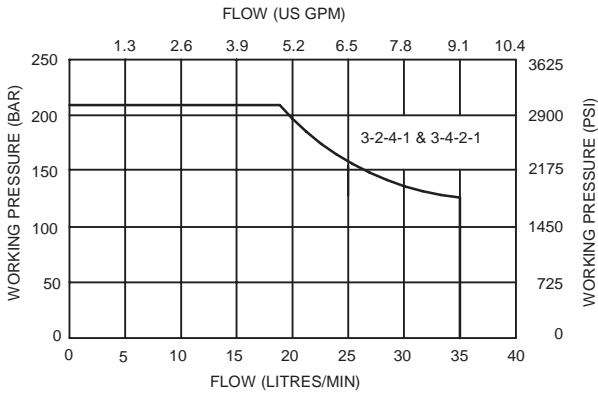
Collins Road, Heathcote Ind. Est., Warwick, CV34 6TF, UK.  
Tel: +44 (0) 1926 881171 Fax: +44 (0) 1926 315729  
Website: www.integratedhydraulics.com

### Integrated Hydraulics Inc

7047 Spinach Drive, Mentor, Ohio 44060, USA  
Tel: (440) 974 3171 Fax: (440) 974 3170  
Website: www.integratedhydraulics.com

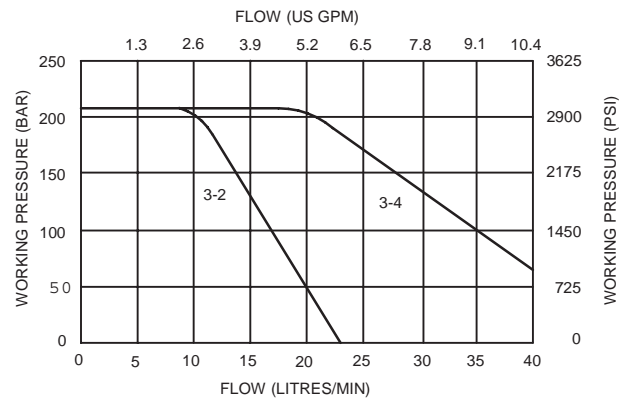
## PERFORMANCE

### FLOWING BACK THROUGH THE VALVE



## PERFORMANCE

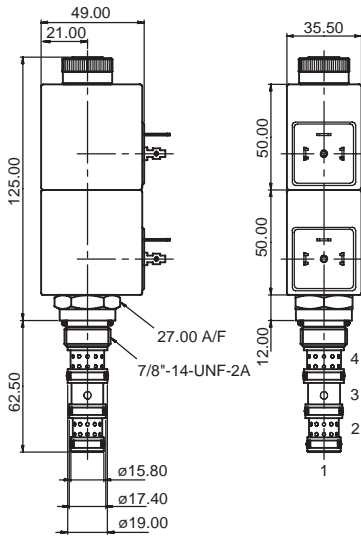
### FLOWING IN ONE DIRECTION ONLY



**NOTE:** Higher flows available on request

## CARTRIDGE ONLY

**BASIC CODE: S571**



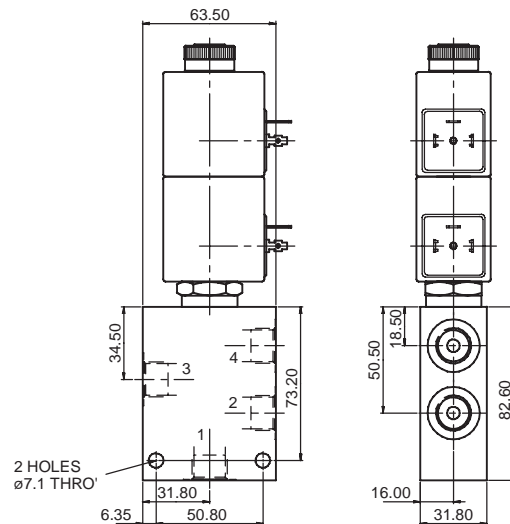
## COMPLETE VALVE

**3/8" 1/2" PORTS**

**BASIC CODE: S571**

Body ONLY part numbers

BSP, aluminium      SAE, aluminium  
3/8"      B19240  
1/2"      B19228



Where measurements are critical request certified drawings

## ORDERING CODE EXAMPLE

**S571 N H 24 3W**

**Basic Code**  
S571

**Seals**  
N = Nitrile  
V = Viton

**Manual Override (consult factory for availability)**  
4 = Push/Pull

**Port Sizes**

3W = 3/8" BSP      8T = 1/2" SAE  
4W = 1/2" BSP

**Voltage**

12 = 12 VDC      110 = 110 VAC  
24 = 24 VDC      220 = 220 VAC

**Coil Termination**

H = DIN43650  
F = Flying Leads  
DM = Deutsch Moulded  
Other terminations available on request

We reserve the right to change specifications without notice