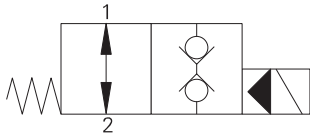


# SBV11-12-O - Solenoid valve

Bi-directional, poppet type, normally open solenoid valve  
 114 L/min (30 USgpm) • 350 bar (5000 psi)

A



## Operation

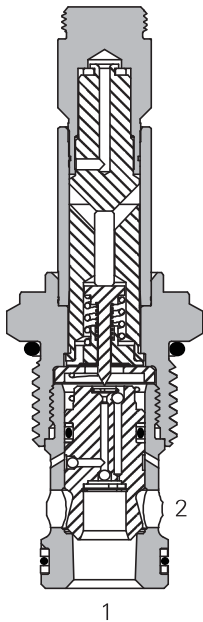
In the de-energized position the valve is open in both directions. A series of internal check valves allows full flow in both directions.

When the solenoid is energized the pilot poppet closes the pilot orifice causing the main poppet to close.

## Features

Hardened and ground working parts. Lapped seat for low leakage. IP69K Tough coil compatibility. Continuously rated. Compact design with low pressure drop. 350 bar working pressure.

## Sectional view



## Performance data

### Ratings and specifications

Performance data is typical with fluid at 21,8 cSt (105 SUS) and 49° C (120° F)

Typical application pressure (all ports)	350 bar (5000 psi)
Cartridge fatigue pressure (infinite life)	310 bar (4500 psi)
Rated flow	114 L/min (30 USgpm)
Internal leakage	5 drops/min, max @ 350 bar (5000 psi)
Temperature range	-40° to 100°C (-40° to 212°F)
Coil duty	Continuous from 85% to 110% of nominal voltage
Cavity	C-12-2 or C-12-2U Add "U" after number if undercut is required. If undercut is not specified, expect 10 psi@15 USgpm and 20 psi @ 30 USgpm higher pressure drop.
Fluids	All general purpose hydraulics fluids such as: MIL-H-5606, SAE 10, SAE 20 etc.
Filtration	Cleanliness code 18/16/13
Housing material (standard)	Aluminum or steel
Weight including coil	0,27 kg (0.59 lbs)
Seal kit	02-165889 (Buna-N), 02-165888 (Viton®)

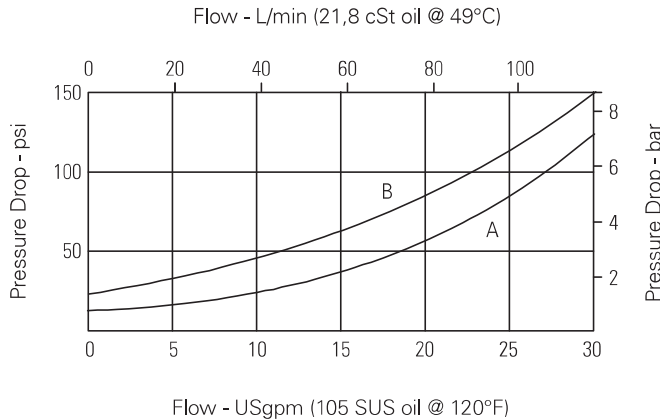
Viton is a registered trademark of E.I. DuPont

## Description

This is a 2-way 2-position, high pressure bi-directional, pilot operated, normally open poppet type screw in cartridge valve. The valve is ideal for isolating and holding actuators in position.

## Pressure drop

Cartridge only



A - Port 1 to port 2

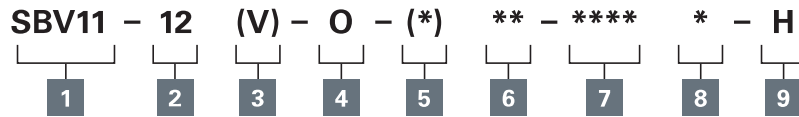
B - Port 2 to port 1

Where measurements are critical request certified drawings. We reserve the right to change specifications without notice.

# SBV1 1-12-O - Solenoid valve

Bi-directional, poppet type, normally open solenoid valve  
114 L/min (30 USgpm) • 350 bar (5000 psi)

## Model code



A

**1 Function**  
SBV11 - Solenoid bi-directional valve

**2 Size**  
12 - 12 size

**3 Seal material**  
Blank - Buna-N  
V - Viton®

**4 Style**  
O - Normally open

**5 Valve housing material**  
Blank - Cartridge only  
A - Aluminum  
S - Steel

**6 Port size**

Code	Port size	Housing number	
		Aluminium	Steel
0	Cartridge only		
4G	1/2" BSPP	02-161118	02-172062
4GU	1/2" BSPP	02-161116	02-172512
6G	3/4" BSPP	02-161117	02-169665
6GU	3/4" BSPP	02-161115	02-162922
10T	SAE 10	02-160640	02-169744
10TU	SAE 10	02-160641	02-169817
12T	SAE 12	02-160644	02-169782
12TU	SAE 12	02-160645	02-169790

See section J for housings.

**7 Voltage rating**  
00 - No coil  
12D - 12VDC  
24D - 24VDC  
36D - 36VDC  
24A - 24VAC  
115A - 115VAC  
230A - 230VAC  
12B - 12VDC/w diode\*  
24B - 24VDC/w diode\*  
\*Optional arc suppression diode.

**8 Connector types**  
Blank - No coil  
G - ISO 4400 DIN 43650  
Q - Spade terminals  
W - Flying lead  
N - Deutsch (DC only)  
Y - Amp JR (DC only)  
D - Metripack 150 male (DC only)  
J - Metripack 280 male (DC only)

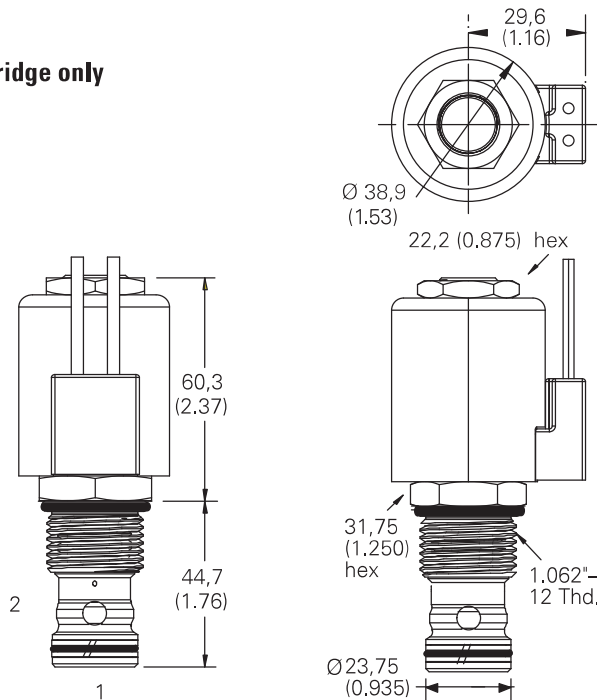
**9 Coil series**  
H - 10 series, 29 W

For coil dimensions see section C.

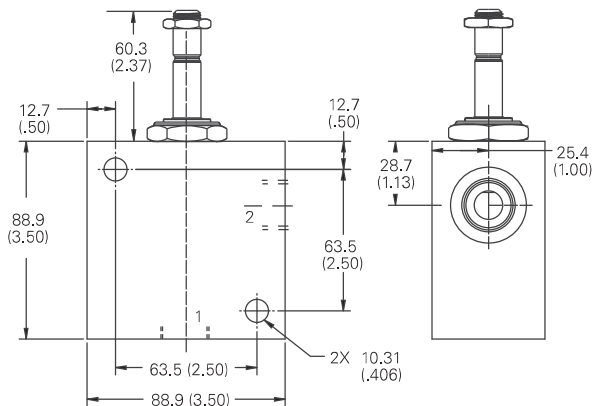
**10 Special features**  
00 - None  
(Only required if valve has special features, omitted if "00.")

**Dimensions**  
mm (inch)

**Cartridge only**



**Installation drawing (Steel)**



**Warning**  
Maintain 5-8 Nm (4-6 ft lbs) maximum torque on valve tube nut.  
Over tightening may cause valve failure.

**Warning**  
Aluminum housings can be used for pressures up to 210 bar (3000 psi). Steel housings must be used for operating pressures above 210 bar (3000 psi).

Where measurements are critical request certified drawings. We reserve the right to change specifications without notice.