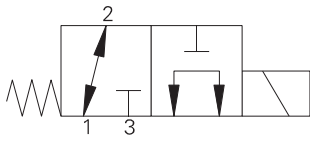


# SV11A/B-10-3 - Solenoid valve

3-way, 2-position, spool type solenoid valve  
Up to 23 L/min (6 USgpm) • 350 bar (5000 psi)

A



## Operation

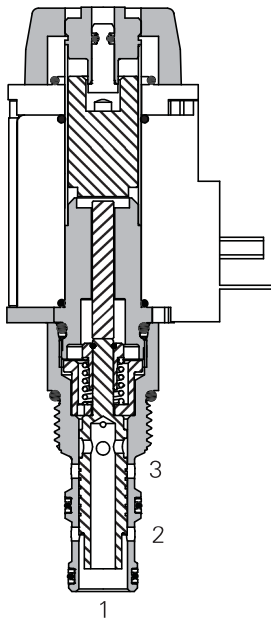
In the de-energized position this valve allows flow from port 1 to 2 while port 3 is blocked.

In the energized position flow is allowed from port 3 to port 1 while port 2 is blocked.

## Features

Hardened, ground and honed working parts to limit leakage. IP69K Tough coil compatibility. Continuously rated. Compact design with low Pressure drop. Rated pressure on all ports. Working pressure 350 bar.

## Sectional view



## Performance data

### Ratings and specifications

*Performance data is typical with fluid at 21,8 cSt (105 SUS) and 49°C (120°F)*

Typical application pressure (all ports except port 1)		350 bar (5000 psi)
Typical application pressure at port 1		210 bar (3000 psi)
Cartridge fatigue pressure (infinite life)		350 bar (5000 psi)
Rated flow	SV11A-10-3 SV11B-10-3	17 L/min (5 USgpm) 23 L/min (6 USgpm)
Internal leakage		350 cc/min (21 in3/min) @ 210 bar (3000 psi)
Temperature range		-40° to 120°C (-40° to 248°F)
Coil duty		Continuous from 85% to 110% of nominal voltage
Cavity		C-10-3
Fluids		MIL-H-5606, SAE 10, SAE 20, etc.
Filtration Cleanliness code		18/16/13
Standard housing materials		Steel
Weight including coil	SV11A-10-3 SV11B-10-3	0.42 kg (0.92 lbs)
Seal kit		Buna-N), (Viton®)

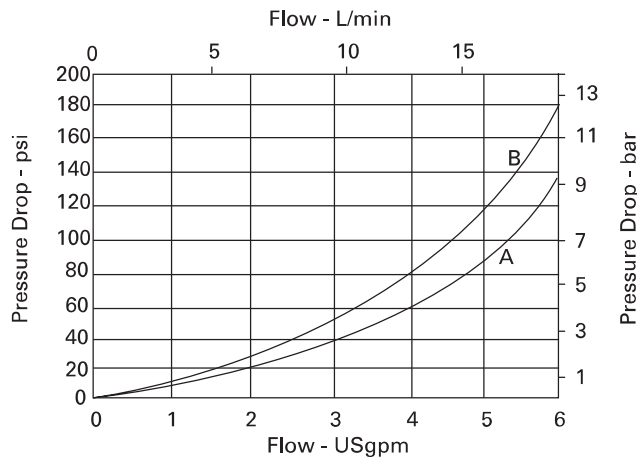
Viton is a registered trademark of E.I. DuPont

## Description

This is a 3-way 2-position, high pressure, direct acting, spool type solenoid valve. This valve can be used in applications requiring separate pressure and tank lines, such as a single acting cylinder or any other application where a three way two position solenoid valve is needed.

## Pressure drop

Cartridge only



### Pressure drop vs. Flow

- A - Port 1 to port 2
- B - Port 3 to port 1

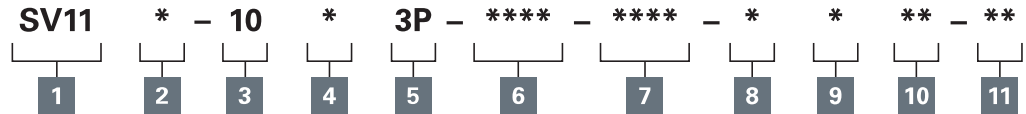
Where measurements are critical request certified drawings. We reserve the right to change specifications without notice.

# SV11A/B-10-3 - Solenoid valve

3-way, 2-position, spool type solenoid valve  
Up to 23 L/min (6 USgpm) • 350 bar (5000 psi)

A

## Model code



### 1 Function

SV11 - Solenoid valve

### 2 Max flow

A - 17 L/min (5 USgpm)  
B - 23 L/min (6 USgpm)

### 3 Size

10 - 10 Size

### 4 Seal material

Blank - Buna-N  
V - Viton®

### 5 Syle

3P - 3 way push type manual override

For valve dimensions with Manual override option installed see page A-980.

### 6 Port size

Code	Port size	Housing number	
		Aluminium	Steel
0	Cartridge only		
A2G	1/4" BSPP	876705	
A3G	3/8" BSPP	876710	
A6H	SAE 6	876704	
A8H	SAE 8	876711	
S2G	1/4" BSPP		02-175127
S3G	1/3" BSPP		02-175128
S6T	SAE 6		02-175124
S8T	SAE 8		02-175125

See section J for housing details.

### 8 Connector types

Blank - No coil  
G - ISO 440 DIN 43650  
W - Flying lead  
C - Deutch on Leads  
H - Metripak 150 on Leads  
F - Weatherpak Male on Leads  
For coil dimensions see section C.

### 9 Coil types

Blank - No coil  
L - L series, (30W EN 490) used for SV11A  
R - R series, (30W) used for SV11B-10

### 10 Coil special features

Blank - No coil  
00 - No special feature

### 11 Special features

00 - None  
(Only required if valve has Special features, omitted if "00".)

## Dimensions

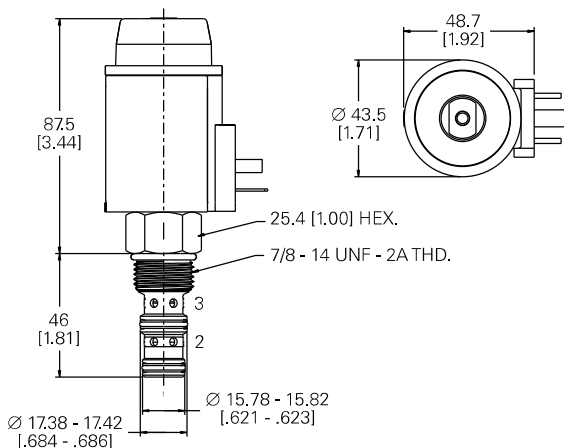
mm (inch)

Torque cartridge in aluminum housing 47-54 Nm (35-40 ft. lbs)

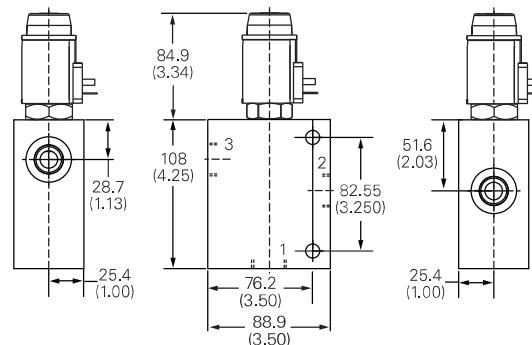
Torque cartridge in steel housing 68-75 Nm (50-55 ft. lbs)

**Note:** When solenoid vale is ordered as Cartridge only, coil nut is included.

## Cartridge only



## Installation drawing (Steel)



### Warning

Aluminum housings can be used for pressures up to 210 bar (3000 psi). Steel housings **must** be used for operating pressures **above** 210 bar (3000 psi).

### Warning

Maintain 2.5-3 Nm (1.8-2.2 ft. lbs) maximum torque on valve tube nut. Over tightening may cause valve failure.

Where measurements are critical request certified drawings. We reserve the right to change specifications without notice.