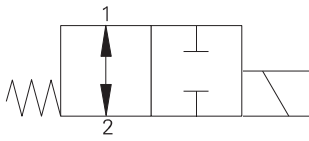


# SV14-8-O/OM - Solenoid valve

Spool type, normally open solenoid valve  
13 L/min (3.5 USgpm) • 350 bar (5000 psi)

A



## Operation

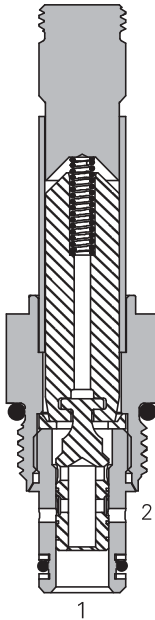
In the de-energized position the valve is open in both directions.

When the solenoid is energized the spool moves causing the valve to close in both directions.

## Features

Hardened, ground and honed working parts to limit leakage. IP69 Tough coil compatibility. Continuously rated. Compact design with low pressure drop. 350 bar working pressure.

## Sectional view



## Performance data

### Ratings and specifications

*Performance data is typical with fluid at 21,8 cSt (105 SUS) and 49°C (120°F)*

Typical application pressure (all ports)	350 bar (5000 psi)
Cartridge fatigue pressure (infinite life)	310 bar (4500 psi)
Rated flow	13 L/min (3.5 USgpm)
Internal leakage, port 2 to port 1	140 cm <sup>3</sup> /min (8.5 in <sup>3</sup> /min) max @ 350 bar (5000 psi)
Temperature range	-40° to 100°C (-40° to 212°F)
Coil duty	Continuous from 85% to 110% of nominal voltage
Cavity	C-8-2
Fluids	All general purpose hydraulic fluids such as: MIL-H-5606, SAE 10, SAE 20 etc.
Filtration	Cleanliness code 18/16/13
Housing material (standard)	Steel
Weight Cartridge only	0,11 kg (0.25 lbs)
Seal kit	02-165875 (Buna-N), 02-165877 (Viton®)

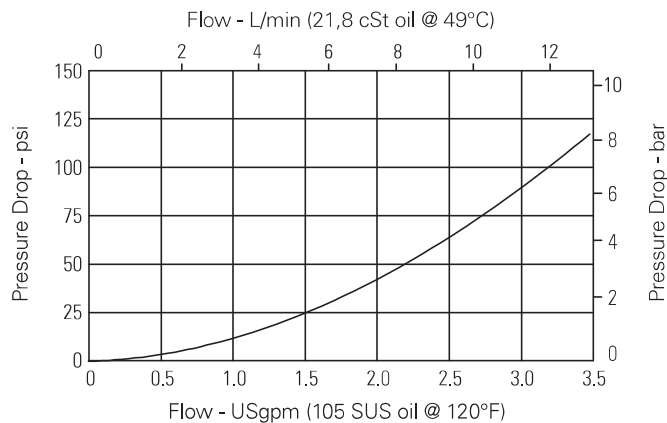
Viton is a registered trademark of E.I. DuPont

## Description

This is a 2-way, 2-position, spool type, high pressure, direct acting, normally open solenoid valve. This valve is used in applications where the flow needs to be blocked in both directions when the solenoid is energized.

## Pressure drop

Cartridge only



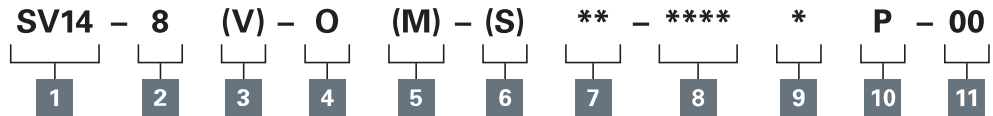
Port 2 to port 1 de-energized  
Port 1 to port 2 de-energized

Where measurements are critical request certified drawings. We reserve the right to change specifications without notice.

# SV14-8-O/OM - Solenoid valve

Spool type, normally open solenoid valve  
13 L/min (3.5 USgpm) • 350 bar (5000 psi)

## Model code



A

### 1 Function

SV14 - Solenoid valve

### 2 Size

8 - 8 size

### 3 Seal material

Blank - Buna-N  
V - Viton®

### 4 Style

O - Normally open

### 5 Manual override option

Blank - No manual override  
M - Manual override

For valve dimensions with manual override option installed see page A-980.

### 6 Valve housing material

Blank - Cartridge only  
S - Steel

### 7 Port size

Code	Port size	Housing number
0	Cartridge only	
2G	1/4" BSPP	02-160733
3G	3/8" BSPP	02-160734
4T	SAE 4	02-160736
6T	SAE 6	02-160737
8T	SAE 8	02-160738

See section J for housing details.

### 8 Voltage rating

00 - No coil  
12D - 12VDC  
24D - 24VDC  
36D - 36VDC

24A - 24VAC  
115A - 115VAC  
230A - 230VAC  
12B - 12VDC/w diode\*  
24B - 24VDC/w diode\*

\*Optional arc suppression diode.

### 9 Connector types

Blank - No coil  
G - ISO 4400 DIN 43650  
Q - Spade terminals  
W - Flying lead  
N - Deutsch (DC only)  
Y - Amp JR (DC only)  
D - Metripack 150 male (DC only)  
J - Metripack 280 male (DC only)

### 10 Coil series

P - 8 series, 23 W

For coil part numbers and dimensions see section C.

### 11 Special features

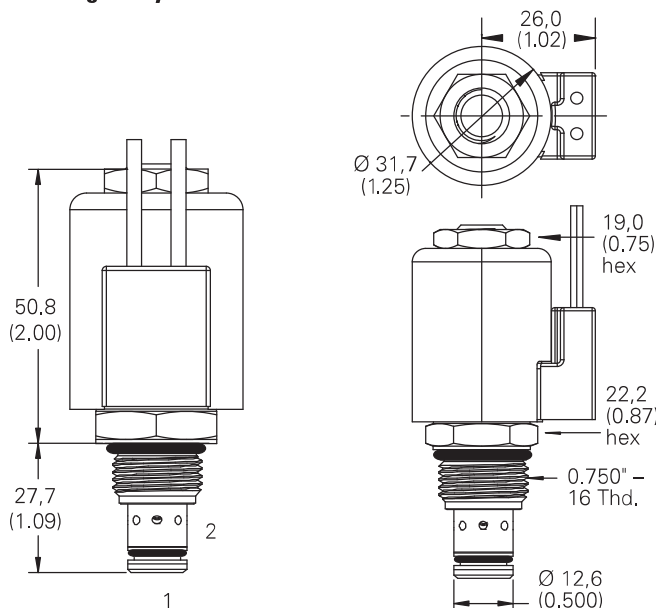
00 - None

(Only required if valve has special features, omitted if "00".)

## Dimensions

mm (inch)

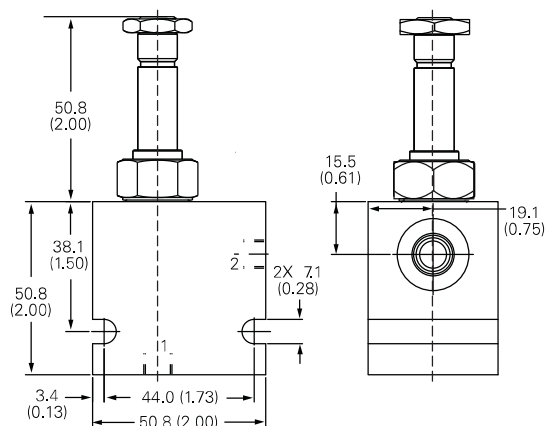
### Cartridge only



Torque cartridge in steel or aluminum housing 34-41 Nm (25-30 ft lbs)

**Note:** When solenoid valve is ordered as cartridge only, nut is included.

### Installation drawing



### Warning

Maintain 5-8 Nm (4-6 ft lbs) maximum torque on valve tube nut.

Over tightening may cause valve failure.

Where measurements are critical request certified drawings. We reserve the right to change specifications without notice.