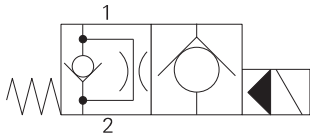


# SV15-8-O/OP/OS - Solenoid valve

Poppet type, normally open solenoid valve  
37 L/min (10 USgpm) • 350 bar (5000 psi)

A



## Operation

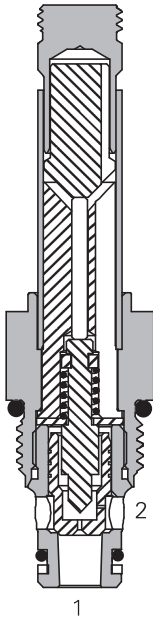
In the de-energized position the valve allows free flow from port 2 to 1 and a restricted flow through the pilot orifice from port 1 to 2.

When the solenoid is energized the pilot poppet closes the orifice and the valve closes blocking flow from port 2 to 1 while allowing free flow from port 1 to 2.

## Features

Hardened and ground working parts. Lapped seat for low leakage. IP69K Tough coil compatibility. Continuously rated. Compact design with low pressure drop. 350 bar working pressure.

## Sectional view



## Performance data

### Ratings and specifications

Performance data is typical with fluid at 21,8 cSt (105 SUS) and 49°C (120°F)

Typical application pressure (all ports)	350 bar (5000 psi)
Cartridge fatigue pressure (infinite life)	310 bar (4500 psi)
Rated flow	37 L/min (10 USgpm)
Internal leakage	5 drops/min, max @ 210 bar (3000 psi)
Temperature range	-40° to 100°C (-40° to 212°F)
Coil duty	Continuous from 85% to 110% of nominal voltage
Cavity	C-8-2
Fluids	All general purpose hydraulic fluids such as: MIL-H-5606, SAE 10, SAE 20 etc
Filtration	Cleanliness code 18/16/13
Housing material (standard)	Steel
Weight cartridge only	0,11 kg (0.25 lbs)
Seal kit	02-165875 (Buna-N), 02-165877 (Viton®)

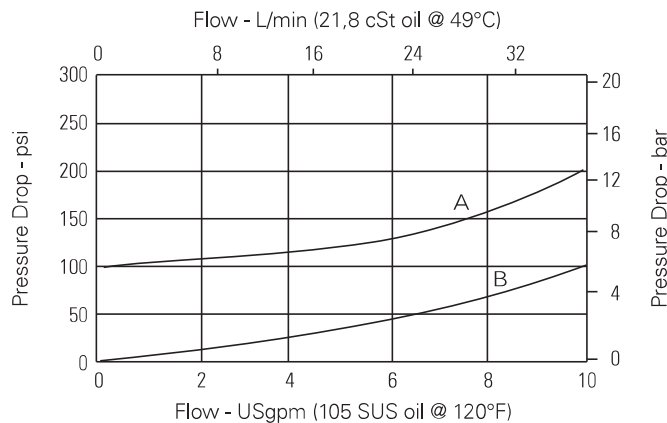
Viton is a registered trademark of E.I. DuPont

## Description

This is a 2-way, 2-position, poppet type, high pressure, pilot operated, normally open solenoid valve. This valve is used in applications requiring low leakage, such as load holding applications or as a general purpose diverter or dump valve.

## Pressure drop

Cartridge only



A - Port 1 to port 2 energized

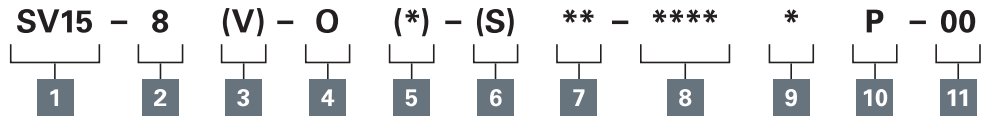
B - Port 2 to port 1 de-energized

Where measurements are critical request certified drawings. We reserve the right to change specifications without notice.

# SV15-8-O/OP/OS - Solenoid valve

Poppet type, normally open solenoid valve  
37 L/min (10 USgpm) • 350 bar (5000 psi)

## Model code



A

### 1 Function

SV15 - Solenoid valve

### 2 Size

8 - 8 size

### 3 Seal material

Blank - Buna-N

V - Viton®

### 4 Style

O - Normally open

### 5 Manual override option

Blank - No manual override

P - Push type

S - Screw type

For valve dimensions with manual override option installed see page A-980.

### 6 Valve housing material

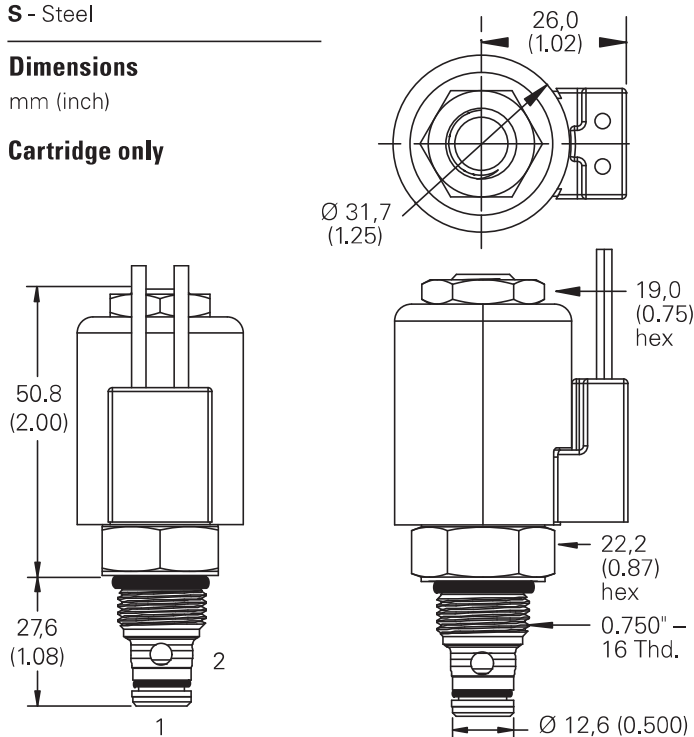
Blank - Cartridge only

S - Steel

### Dimensions

mm (inch)

### Cartridge only



### 7 Port size

Code	Port size	Housing number
0	Cartridge only	
2G	1/4" BSPP	02-160733
3G	3/8" BSPP	02-160734
4T	SAE 4	02-160736
6T	SAE 6	02-160737
8T	SAE 8	02-160738

See section J for housing details.

### 8 Voltage rating

00 - No coil

12D - 12VDC

24D - 24VDC

36D - 36VDC

24A - 24VAC

115A - 115VAC

230A - 230VAC

12B - 12VDC/w diode\*

24B - 24VDC/w diode\*

\*Optional arc suppression diode.

### 9 Connector types

Blank - No coil

G - ISO 4400 DIN 43650

Q - Spade terminals

W - Flying lead

N - Deutsch (DC only)

Y - Amp JR (DC only)

D - Metripack 150 male (DC only)

J - Metripack 280 male (DC only)

### 10 Coil series

P - 8 series, 23 W

For coil part numbers and dimensions see section C.

### 11 Special features

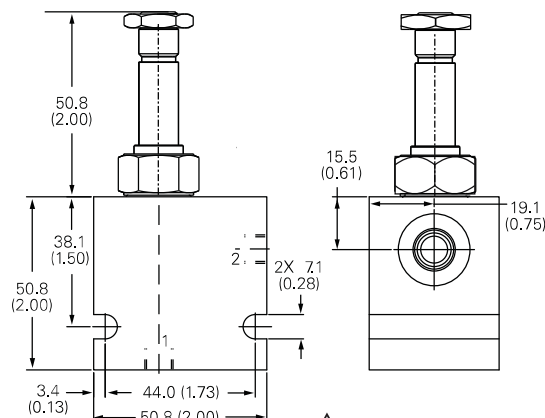
00 - None

(Only required if valve has special features, omitted if "00".)

Torque cartridge in steel housing 34-41 Nm (25-30 ft lbs)

**Note:** When solenoid valve is ordered as cartridge only, coil nut is included.

### Installation drawing



### Warning

Maintain 5-8 Nm (4-6 ft lbs) maximum torque on valve tube nut.

Over tightening may cause valve failure.

Where measurements are critical request certified drawings. We reserve the right to change specifications without notice.