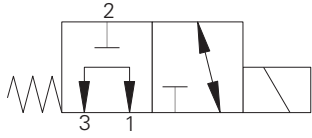


SV2A/B-12-3P - Solenoid Valve

3-way, 2-position, spool type solenoid valve
Up to 34 L/min (9 USgpm) • 210 bar (3000 psi)

A



Operation

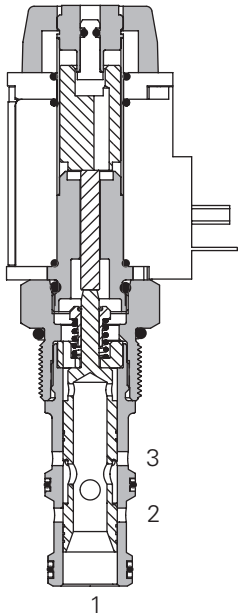
In the de-energized position this valve allows flow from port 1 to 3 while port 2 is blocked.

In the energized position flow is allowed from port 2 to port 1 while port 3 is blocked.

Features

Hardened, ground and honed working parts to limit leakage. IP69K Tough coil compatibility. Continuously rated. Compact design with low pressure drop. Rated pressure on all ports.

Sectional View



Performance

Ratings and Specifications

Performance data is typical with fluid at 21,8 cST (105 SUS) and 49°C (120°F)

Typical application pressure	210 bar (3000 psi)
Cartridge fatigue pressure (infinite life)	210 bar (3000 psi)
Rated flow	SV2A-12-3: 30 L/min (8 USgpm) max flow port 1 to port 3-27 L/min (7 USgpm) SV2B-12-3: 38 L/min (10 USgpm) max flow port 1 to port 3-34 L/min (9 USgpm)
Internal leakage	300 cm ³ /min (21.5 in ³ /min) max @ 210 bar (3000 psi)
Temperature range	-40° to 120°C (-40° to 248°F)
Coil duty	Continuous from 85% to 110% of nominal voltage
Cavity	C-12-3
Fluids	All general purpose hydraulic fluids such as: MIL-H-5606, SAE 10, SAE 20, etc.
Filtration	Cleanliness code 18/16/13
Housing material (standard)	Aluminum
Weight including coil	SV2A-12-3: 0,68 kg (1.5 lbs) SV2B-12-3: 0,86 kg (1.9 lbs)
Seal kit	9900171-000 (Buna-N), 9900172-000 (Viton®)

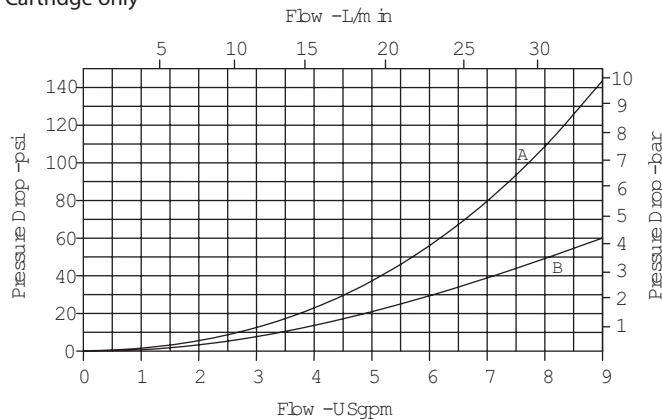
Viton is a registered trademark of E.I. DuPont

Description

This is a 3-way 2-position, direct acting, spool type solenoid valve. This valve can be used in applications requiring separate pressure and tank lines, such as a single acting cylinder or any other application where a three way two position solenoid valve is needed.

Pressure Drop

Cartridge only



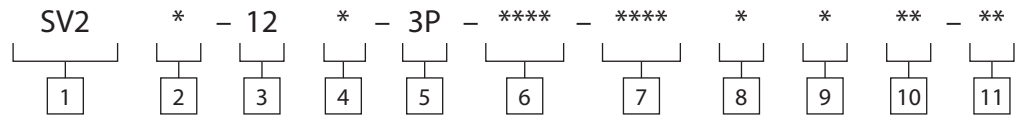
A - Port 2 to port 1 energized
B - Port 1 to port 3 de-energized

Where measurements are critical request certified drawings. We reserve the right to change specifications without notice.

SV2A/B-12-3P - Solenoid Valve

3-way, 2-position, spool type solenoid valve
Up to 34 L/min (9 USgpm) • 210 bar (3000 psi)

Model Code



- 1** Function
SV2 - Solenoid valve

- 2** Max Flow
A - 30 L/min (8 USgpm)
B - 38 L/min (10 USgpm)

- 3** Size
12 - 12 size

- 4** Seal Material
Blank - Buna-N
V - Viton®

- 5** Style
3P - 3 way, push type

- 6** Port Size

Code	Port Size	Housing Number
0	Cartridge only	
A6G	3/4" BSPP	02-161816
A12H	SAE 12	02-160646

- 7** Voltage rating
00 - No coil
12D - 12VDC
24D - 24VDC
12B - 12VDC/w diode*
24B - 24VDC/w diode*
*Optional arc suppression diode.

- 8** Connector types
Blank - No coil
G - ISO 4400 DIN 43650
W - Flying lead
C - Deutch on Leads
H - Metripak 150 on Leads
F - Weatherpak Male on Leads
For coil dimensions see section C.

- 9** Coil types
Blank - No coil
L - L series (30W EN 490) used for SV2A-12
R - R series (30W) used for SV2B-12

- 10** Coil special features
Blank - No coil
00 - No special feature

- 11** Special features
00 - None
(Only required if valve has special features, omitted if "00")
SF - Soft shift

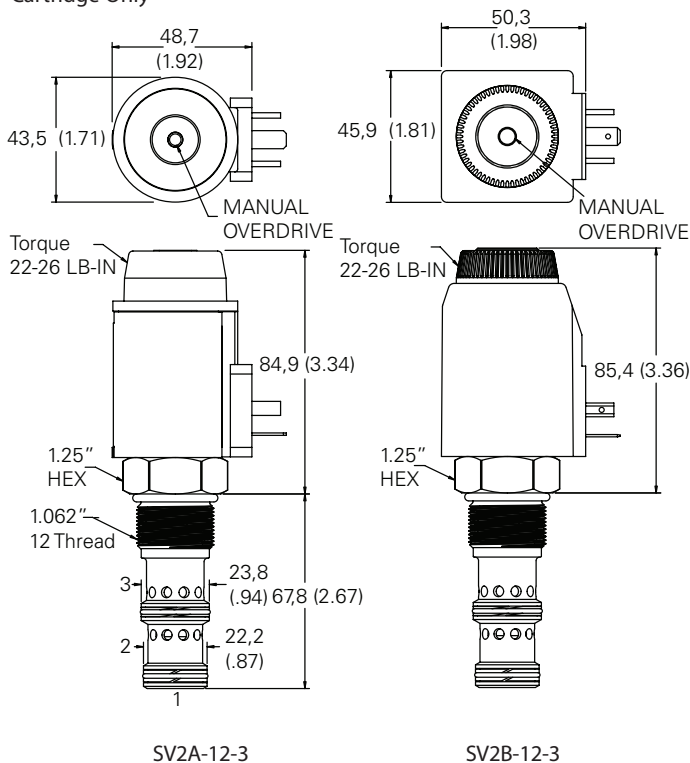
Dimensions

mm (inch)

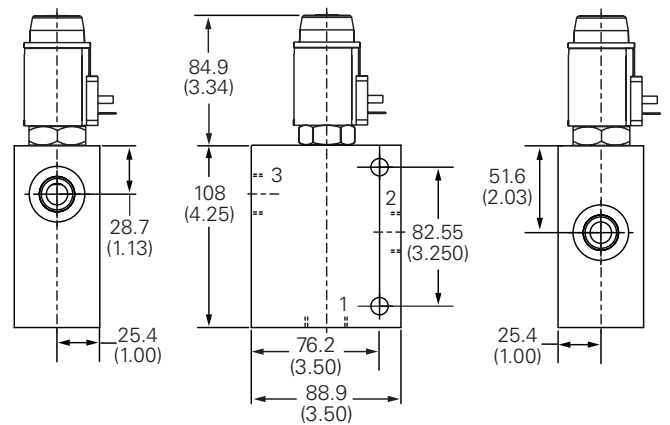
Torque cartridge in aluminum housing 81-95 Nm (60-70 ft lbs)

Note: When solenoid valve is ordered as cartridge only, coil nut is included.

Cartridge Only



Installation Drawing



WARNING
Maintain 2.5-3 Nm (1.8-2.2 ft lbs) maximum torque on valve tube nut. Over tightening may cause valve failure.