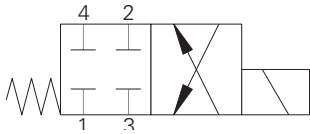


SV2A/B-12-4 - Solenoid Valve

4-way, 2-position, spool type solenoid valve
Up to 42 L/min (11 USgpm) • 210 bar (3000 psi)

A



Operation

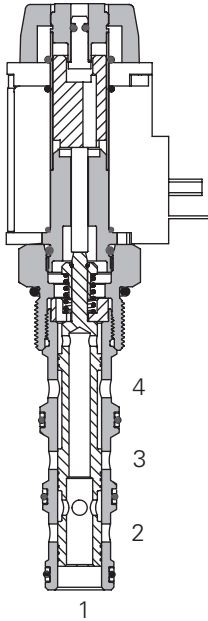
In the de-energized position all ports are blocked.

In the energized position flow is allowed between port 3 to port 4 and between port 2 to port 1 in both directions.

Features

Hardened, ground and honed working parts to limit leakage. IP69K Tough coil compatibility. Continuously rated. Compact design with low pressure drop. Rated pressure on all ports.

Sectional View



Performance

Ratings and Specifications

Performance data is typical with fluid at 21,8 cSt (105 SUS) and 49° C (120° F)

Typical application pressure	210 bar (3000 psi)
Cartridge fatigue pressure (infinite life)	210 bar (3000 psi)
Rated flow	SV2A-12-4: 34 L/min (9 USgpm) SV2B-12-4: 42 L/min (11 USgpm)
Internal leakage	300 cm ³ /min (21.5 in ³ /min) max @ 210 bar (3000 psi)
Temperature range	-40° to 120°C (-40° to 248°F)
Coil duty	Continuous from 85% to 110% of nominal voltage
Cavity	C-12-4
Fluids	All general purpose hydraulic fluids such as: MIL-H-5606, SAE 10, SAE 20 etc.
Filtration	Cleanliness code 18/16/13
Housing material (standard)	Aluminum
Weight including coil	SV2A-12-4: 0,68 kg (1.5 lbs) SV2B-12-4: 0,86 kg (1.9 lbs)
Seal kit	2160979 (Buna-N), 2160980 (Viton®)

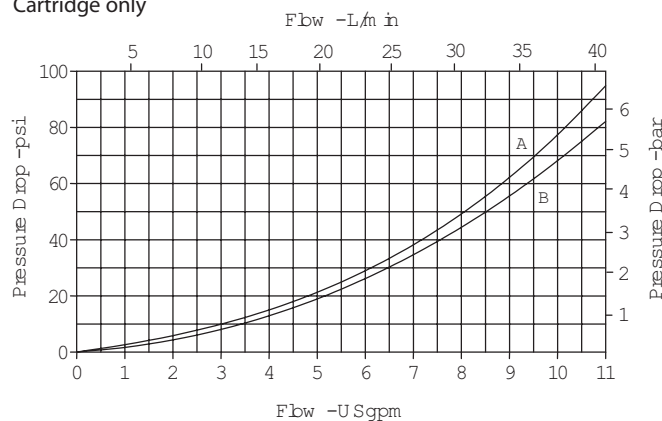
Viton is a registered trademark of E.I. DuPont

Description

This is a 4-way 2-position, direct acting, spool type solenoid valve. This valve can be used in applications where a double acting actuator needs to be isolated.

Pressure Drop

Cartridge only

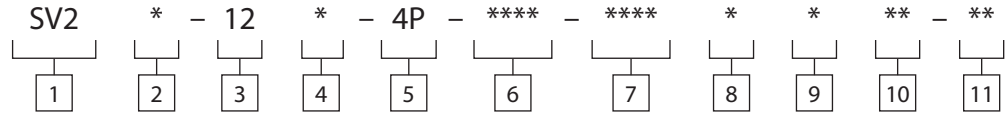


A - Port 2 to port 1
B - Port 3 to port 4

SV2A/B-12-4 - Solenoid Valve

4-way, 2-position, spool type solenoid valve
Up to 42 L/min (11 USgpm) • 210 bar (3000 psi)

Model Code



- 1** Function
SV2 - Solenoid valve
- 2** Max Flow
A - 34 L/min (9USgpm)
B - 42 L/min (11USgpm)
- 3** Size
12 - 12 size
- 4** Seal Material
Blank - Buna-N
V - Viton*
- 5** Style
4P - 4-way, push type manual override

6 Port Size

Code	Port Size	Housing Number
0	Cartridge only	
A6G	3/4" BSPP	5986432-001
A10H	SAE 10	5986434-001
A12H	SAE 12	5986436-001

See section J for housing details.

7 Voltage Rating
00 - No coil
12D - 12VDC
24D - 24VDC
12B - 12VDC/w diode*
24B - 24VDC/w diode*
*Optional arc suppression diode.

8 Connector Types
Blank - No coil
G - ISO 4400 DIN 43650
W - Flying lead
C - Deutch on Leads
H - Metripak 150 on Leads
F - Weatherpak Male on Leads
For coil part numbers and dimensions see section C.

- 9** Coil Types
Blank - No coil
L - L series (30W EN 490) used for SV2A-12
R - R series (30W) used for SV2B-12
- 10** Coil Special Features
Blank - No coil
00 - No special feature
- 11** Special Features
00 - None
(Only required if valve has special features omitted if "00".)
SF - Soft shift

Dimensions

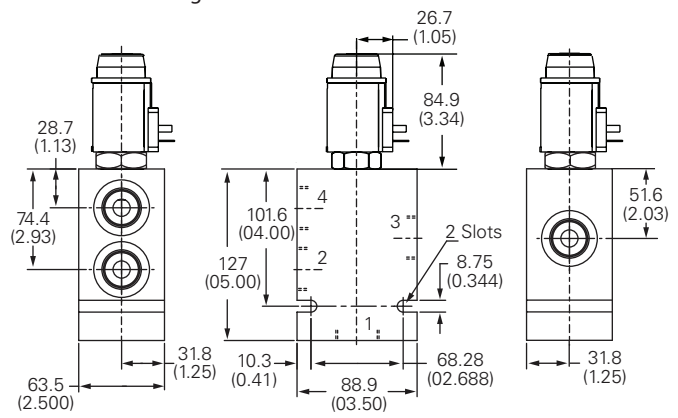
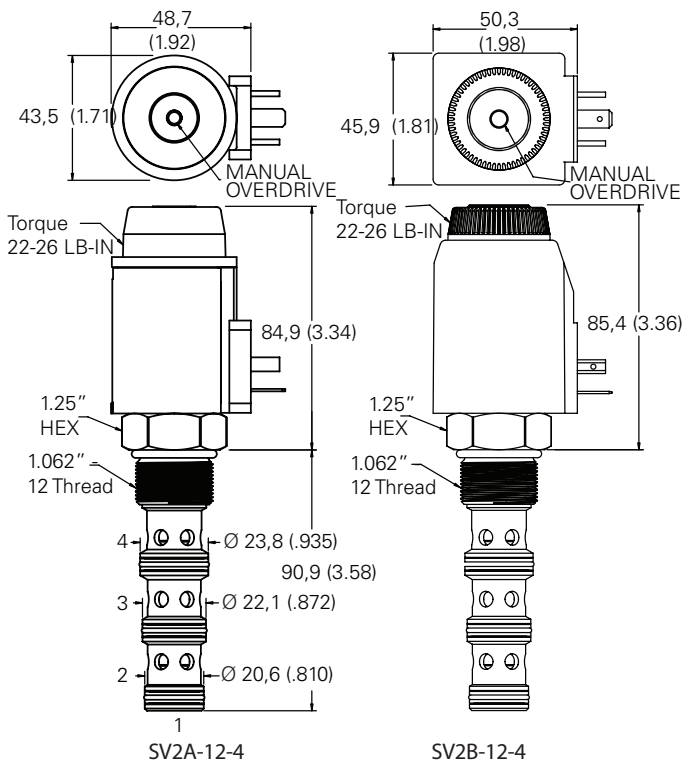
mm (inch)

Torque cartridge in steel housing 81-95 Nm (60-70 ft lbs)

Note: When solenoid valve is ordered as cartridge only, nut is included.

Cartridge Only

Installation Drawing



WARNING
Maintain 2.5-3 Nm (1.8-2.2 ft lbs) maximum torque on valve tube nut. Over tightening may cause valve failure.