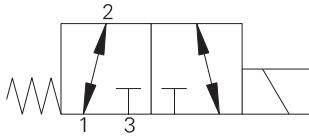


# SV4-10-3/3P/3S - Solenoid valve

3-way, 2-position spool type solenoid valve  
Up to 23 L/min (6 USgpm) • 2.10 bar (3000 psi)

A



## Operation

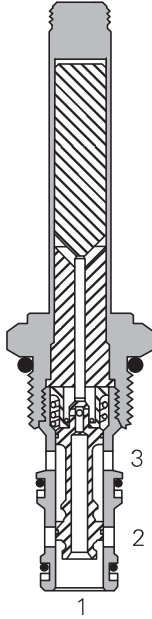
In the de-energized position this valve allows flow from port 2 to 1 while port 3 is blocked.

In the energized position flow is allowed from port 2 to port 3 while port 1 is blocked.

## Features

Hardened, ground and honed working parts to limit leakage. IP69K Tough coil compatibility. Continuously rated. Compact design with low Pressure drop. Rated pressure on all ports.

## Sectional view



## Performance data

### Ratings and specifications

*Performance data is typical with fluid at 21,8 cST (105 SUS) and 49°C (120°F)*

Typical application pressure	210 bar (3000 psi)*
*Flow from P1 to P2 must be less than 7,6 L/min (2 USgpm)	
Cartridge fatigue pressure (infinite life)	210 bar (3000 psi)
Rated flow	23 L/min (6 USgpm) Max. flow port 1 to port 2-10 L/min (2.5 USgpm)
Internal leakage	164 cm <sup>3</sup> /min (10 in <sup>3</sup> /min) max @ 210 bar (3000 psi)
Temperature range	-40° to 120°C (-40° to 248°F)
Coil duty	Continuous from 85% to 110% of nominal voltage
Cavity	C-10-3
Fluids	All general purpose hydraulic fluids such as: MIL-H-5606, SAE 10, SAE 20 etc.
Filtration	Cleanliness code 18/16/13
Housing material (standard)	Aluminum
Weight including coil	0,42 kg (0.93 lbs)
Seal kit	889624 (Buna-N), 889628 (Viton®)

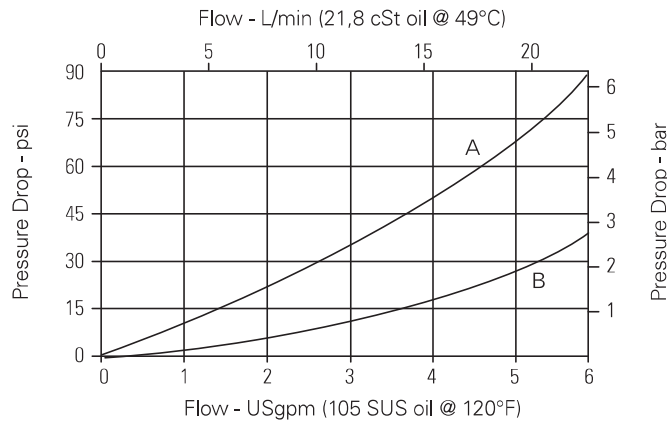
Viton is a registered trademark of E.I. DuPont

## Description

This is a 3-way 2-position, direct acting, spool type solenoid valve. This valve can be used in applications requiring separate pressure and tank lines, such as a single acting cylinder or any other application where a three way two position solenoid valve is needed.

## Pressure drop

Cartridge only



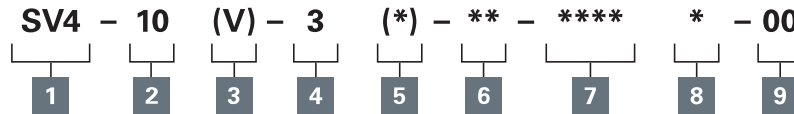
- A** - Port 3 to port 2 energized
- B** - Port 2 to port 1 de-energized

Where measurements are critical request certified drawings. We reserve the right to change specifications without notice.

# SV4-10-3/3P/3S - Solenoid valve

3-way, 2-position spool type solenoid valve  
Up to 23 L/min (6 USgpm) • 210 bar (3000 psi)

## Model code



A

### 1 Function

SV4 - Solenoid valve

### 2 Size

10 - 10 size

### 3 Seal material

Blank - Buna-N

V - Viton®

### 4 Style

3 - 3-way, 2 position

### 5 Manual override option

Blank - No manual override

M - Manual override

P - Push type

S - Screw type

For valve dimensions with Manual override option installed see page A-980.

### 6 Port size

Code	Port size	Housing number
0	Cartridge only	
3B	3/8" BSPP	02-173358*
6T	SAE6	566162*
2G	1/4" BSPP	876705
3G	3/8" BSPP	876714
6H	SAE 6	876704
8H	SAE 8	876711

\*Light duty housing.  
See section J for housings.

### 7 Voltage rating

00 - No coil

12D - 12VDC

24D - 24VDC

36D - 36VDC

24A - 24VAC

115A - 115VAC

230A - 230VAC

12B - 12VDC/w diode\*

24B - 24VDC/w diode\*

\*Optional arc suppression diode.

### 8 Connector types

Blank - No coil

G - ISO 4400 DIN 43650

Q - Spade terminals

W - Flying lead

N - Deutsch (DC only)

Y - Amp JR (DC only)

D - Metripack 150 male (DC only)

J - Metripack 280 male (DC only)

For coil dimensions see section C.

### 9 Special features

00 - None

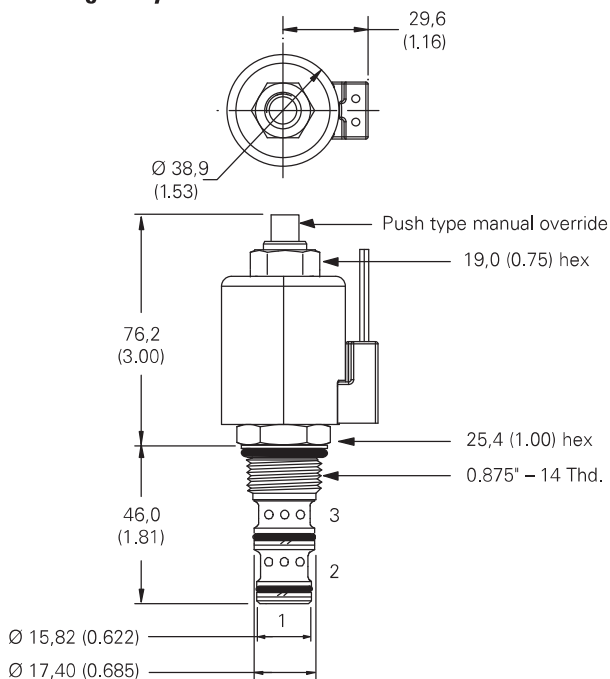
(Only required if valve has Special features, omitted if "00.")

**Note:** Use J series, 23 W coils with this solenoid valve.

## Dimensions

mm (inch)

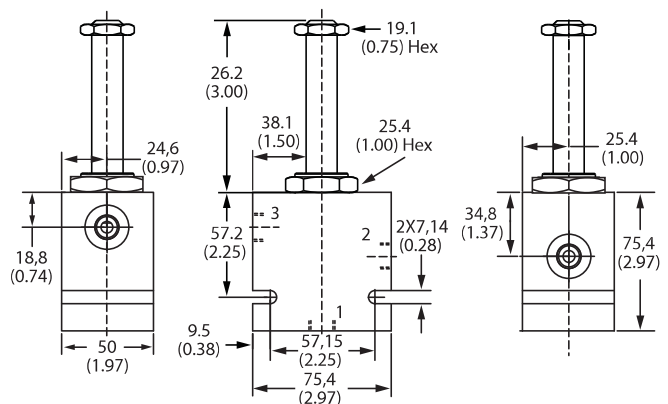
### Cartridge only



Torque cartridge in aluminum housing 47-54 Nm (35-40 ft lbs)

**Note:** When solenoid valve is ordered as Cartridge only, coil nut is included.

### Installation drawing



### Warning

Maintain 5-8 Nm (4-6 ft lbs) maximum torque on valve tube nut.

Over tightening may cause valve failure.

### Warning

Flow from port 1 to port 2 must be less than 7,6 L/min (2 USgpm).

Where measurements are critical request certified drawings. We reserve the right to change specifications without notice.