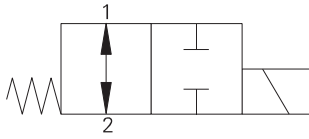


# SV4-10-O/OM/OR - Solenoid valve

Spool type, normally open solenoid valve  
23 L/min (6 USgpm) • 210 bar (3000 psi)

A



## Operation

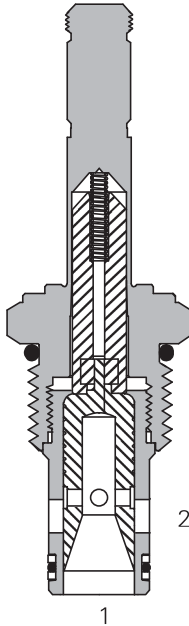
In the de-energized position the valve is open in both directions.

When the solenoid is energized the spool moves causing the valve to close in both directions.

## Features

Hardened, ground and honed working parts to limit leakage. IP69 Tough coil compatibility. Continuously rated. Compact design with low pressure drop.

## Sectional view



## Performance data

### Ratings and specifications

Performance data is typical with fluid at 21,8 cSt (105 SUS) and 49°C (120°F)

Typical application pressure (all ports)	210 bar (3000 psi)
Cartridge fatigue pressure (infinite life)	210 bar (3000 psi)
Rated flow	23 L/min (6 USgpm)
Internal leakage, port 2 to port 1	82 cm <sup>3</sup> /min (5 in <sup>3</sup> /min) max @ 210 bar (3000 psi)
Temperature range	-40° to 120°C (-40° to 248°F)
Coil duty	Continuous from 85% to 110% of nominal voltage
Cavity	C-10-2
Fluids	All general purpose hydraulic fluids such as: MIL-H-5606, SAE 10, SAE 20 etc.
Filtration	Cleanliness code 18/16/13
Housing material (standard)	Aluminum
Weight including cartridge	0,4 kg (0.87 lbs)
Seal kit	565806 (Buna-N), 889627 (Viton®)

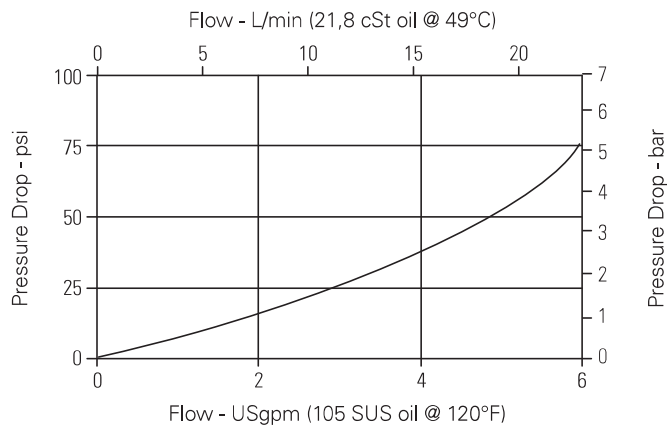
Viton is a registered trademark of E.I. DuPont

## Description

This is a 2-way, 2-position, spool type, direct acting, normally open solenoid valve. This valve is used in applications where the flow needs to be blocked in both directions when the solenoid is energized.

## Pressure drop

Cartridge only



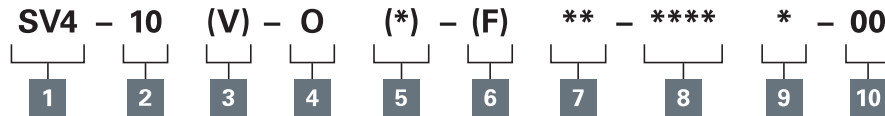
Port 2 to port 1 or  
Port 1 to port 2 de-energized

Where measurements are critical request certified drawings. We reserve the right to change specifications without notice.

# SV4-10-O/OM/OR - Solenoid valve

Spool type, normally open solenoid valve  
23 L/min (6 USgpm) • 210 bar (3000 psi)

## Model code



A

**1 Function**  
SV4 - Solenoid valve

**2 Size**  
10 - 10 size

**3 Seal material**  
Blank - Buna-N  
V - Viton®

**4 Style**  
O - Normally open

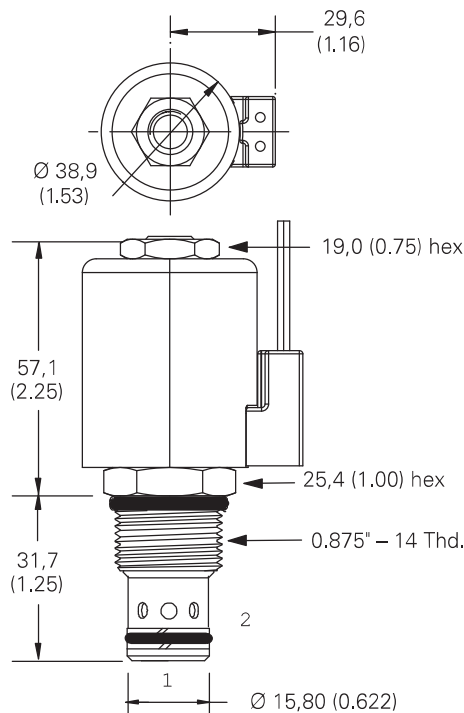
**5 Manual override option**  
Blank - No manual override  
M - Knob type  
R - Cable type

For valve dimensions with manual override option installed see page A-980

**6 Filter option**  
Blank - None  
F - Filter screen

**Dimensions**  
mm (inch)

**Cartridge only**



**7 Port size**

Code	Port size	Housing number
0	Cartridge only	
3B	3/8" BSPP	02-175462*
6T	SAE 6	566151*
2G	1/4" BSPP	876702
3G	3/8" BSPP	876703
6H	SAE 6	876700
8H	SAE 8	876701

\*Light duty housing.  
See section J for housing details.

**8 Voltage rating**

00 - No coil  
12D - 12VDC  
24D - 24VDC  
36D - 36VDC  
24A - 24VAC  
115A - 115VAC  
230A - 230VAC  
12B - 12VDC/w diode\*  
24B - 24VDC/w diode\*

\*Optional arc suppression diode.

**9 Connector types**

Blank - No coil  
G - ISO 4400 DIN 43650  
Q - Spade terminals  
W - Flying lead  
N - Deutsch (DC only)  
Y - Amp JR (DC only)  
D - Metripack 150 male (DC only)  
J - Metripack 280 male (DC only)

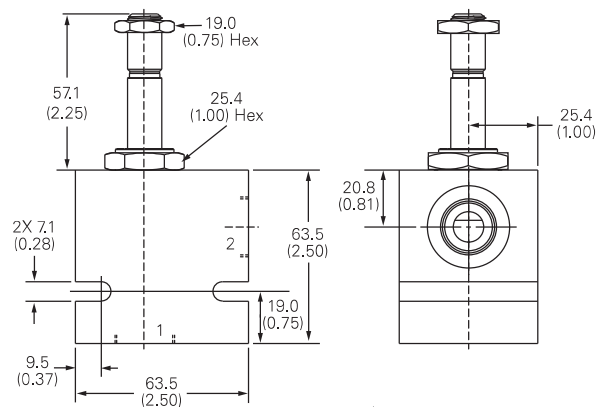
For coil part numbers and dimensions see section C.

**10 Special features**

00 - None  
(Only required if valve has special features, omitted if "00").  
**Note:** Use J series, 23 W coils with this solenoid valve.

Torque cartridge in aluminum housing 47-54 Nm (35-40 ft lbs)

**Installation drawing**



**Note:** When solenoid valve is ordered as cartridge only, nut is included.

**Warning**

Maintain 5-8 Nm (4-6 ft lbs) maximum torque on valve tube nut.  
Over tightening may cause valve failure.

Where measurements are critical request certified drawings. We reserve the right to change specifications without notice.