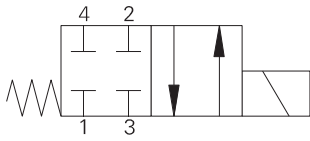


# SV5-10-4/4M/4R - Solenoid valve

4-way, 2-position, spool type solenoid valve  
 23 L/min (6 USgpm) • 210 bar (3000 psi)

A



## Operation

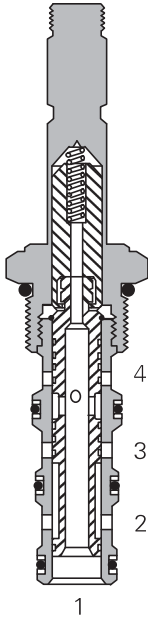
In the de-energized position all ports are blocked.

In the energized position flow is allowed from port 3 to port 2 and from port 4 to port 1.

## Features

Hardened, ground and honed working parts to limit leakage. IP69K Tough coil compatibility. Continuously rated. Compact design with low Pressure drop. Rated pressure on all ports.

## Sectional view



## Performance data

### Ratings and specifications

*Performance data is typical with fluid at 21,8 cSt (105 SUS) and 49° C (120° F)*

Typical application pressure (all ports)	210 bar (3000 psi)
Cartridge fatigue pressure (infinite life)	210 bar (3000 psi)
Rated flow	23 L/min (6 USgpm)
Internal leakage	164 cm <sup>3</sup> /min (10 in <sup>3</sup> /min) max @ 210 bar (3000 psi)
Temperature range	-40° to 120°C (-40° to 248°F)
Coil duty	Continuous from 85% to 110% of nominal voltage
Cavity	C-10-4
Fluids	All general purpose hydraulic fluids such as: MIL-H-5606, SAE 10, SAE 20 etc.
Filtration	Cleanliness code 18/16/13
Housing material (standard)	Aluminum
Weight including coil	0,44 kg (0.96 lbs)
Seal kit	889625 (Buna-N), 566080 (Viton®)

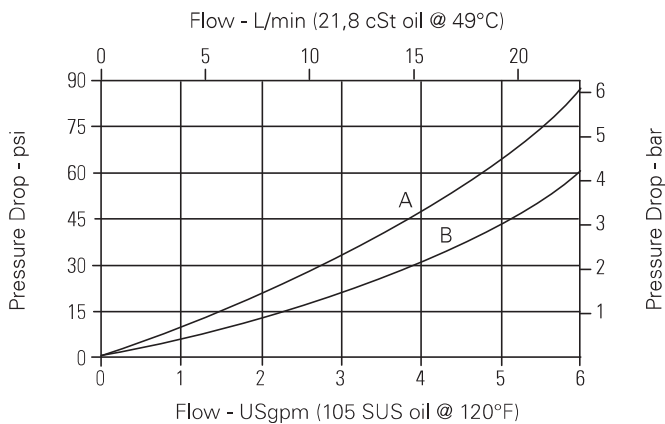
Viton is a registered trademark of E.I. DuPont

## Description

This is a 4-way 2-position, direct acting, spool type solenoid valve. This valve can be used in applications where a double acting actuator needs to be isolated.

## Pressure drop

Cartridge only

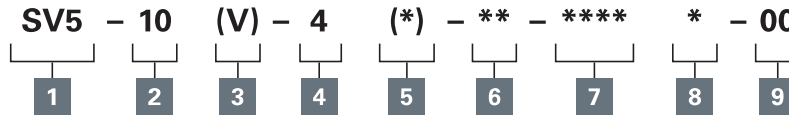


Where measurements are critical request certified drawings. We reserve the right to change specifications without notice.

# SV5-10-4/4M/4R - Solenoid valve

4-way, 2-position, spool type solenoid valve  
23 L/min (6 USgpm) • 210 bar (3000 psi)

## Model code



A

### 1 Function

SV5 - Solenoid valve

### 2 Size

10 - 10 size

### 3 Seal material

Blank - Buna-N

V - Viton®

### 4 Style

4 - 4-way, 2-position

### 5 Manual override option

Blank - No manual override

M - Knob type

R - Cable type

For valve dimensions with Manual override option installed see page A-980.

### 6 Port size

Code	Port size	Housing number
0	Cartridge only	
3B	3/8" BSPP	02-179705*
6T	SAE 6	566161*
2G	1/4" BSPP	876709
3G	3/8" BSPP	876715
6H	SAE 6	876708
8H	SAE 8	876713

\*Light duty housing  
See section J for housing details.

### 7 Voltage rating

00 - No coil

12D - 12VDC

24D - 24VDC

36D - 36VDC

24A - 24VAC

115A - 115VAC

230A - 230VAC

12B - 12VDC/w diode\*

24B - 24VDC/w diode\*

\*Optional arc suppression diode.

### 8 Connector types

Blank - No coil

G - ISO 4400 DIN 43650

Q - Spade terminals

W - Flying lead

N - Deutsch (DC only)

Y - Amp JR (DC only)

D - Metripack 150 male (DC only)

J - Metripack 280 male (DC only)

For coil part numbers and dimensions see section C.

### 9 Special features

00 - None

(Only required if valve has Special features omitted if "00".)

**Note:** Use J series 23 W coils with this solenoid valve.

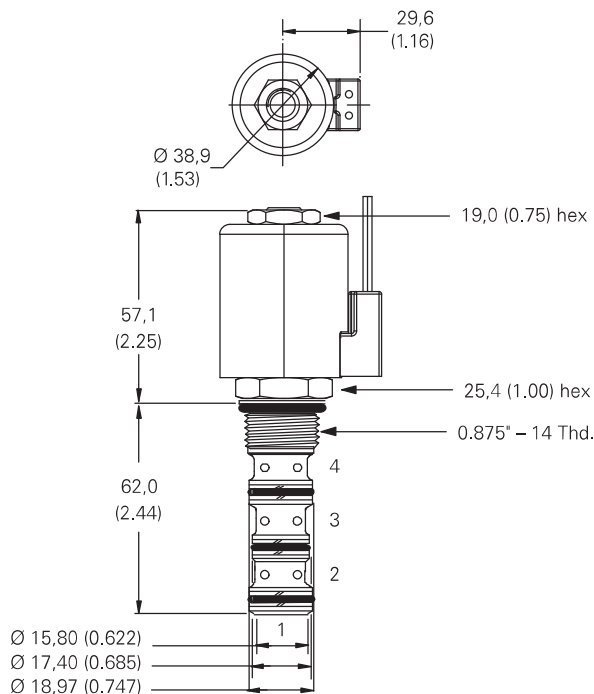
## Dimensions

mm (inch)

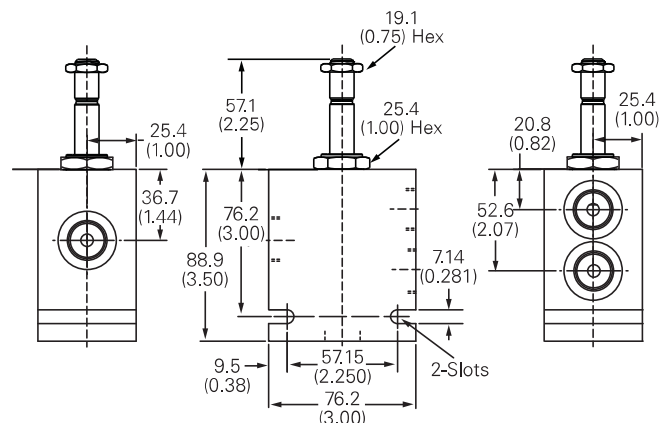
Torque cartridge in steel housing 47-54 Nm (35-40 ft lbs)

**Note:** When solenoid valve is ordered as Cartridge only, nut is included.

## Cartridge only



## Installation drawing



### Warning

Maintain 5-8 Nm (4-6 ft lbs) maximum torque on valve tube nut.

Over tightening may cause valve failure.

Where measurements are critical request certified drawings. We reserve the right to change specifications without notice.